

# MCS

HYDRAULICS

*Raccordi per tubo flessibile- serie Pre-crimp*  
*Hose Fittings - Pre-crimp series*  
*Sae J516 - Iso 12151*

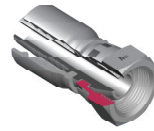


*Collezione - Collection*  
*2019*

INDICE  
INDEX

Pag. 3.1 - 3.2 - 3.3 - 3.4

FEMMINA GIREVOLE GAS SV. 60°  
BSP SWIVEL FEMALE 60° CONE



Cod. BSPSF..PC

Pag. 3.5

FEMMINA GIREVOLE A 45° GAS SV. 60°  
45° BSP SWIVEL FEMALE 60° CONE



Cod. 45BSPSF..PC

Pag. 3.6

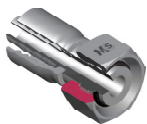
FEMMINA GIREVOLE A 90° GAS SV. 60°  
90° BSP SWIVEL FEMALE 60° CONE



Cod. 90BSPSF..PC

Pag. 3.7

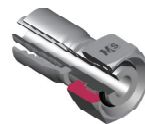
FEMMINA GIREVOLE O'RING FILETTO  
METRICO CONO 24° - SERIE LEGGERA  
O'RING METRIC SWIVEL FEMALE  
24° CONE - LIGHT TYPE



Cod. ORMSFL..PC

Pag. 3.8

FEMMINA GIREVOLE O'RING FILETTO  
METRICO CONO 24° - SERIE PESANTE  
O'RING METRIC SWIVEL FEMALE  
24° CONE - HEAVY TYPE



Cod. ORMSFH..PC

Pag. 3.9

FEMMINA GIREVOLE 45°  
O'RING FILETTO METRICO  
CONO 24° - SERIE LEGGERA  
45° O'RING METRIC SWIVEL  
FEMALE 24° CONE - LIGHT TYPE



Cod. 45ORMSFL..PC

Pag. 3.10

FEMMINA GIREVOLE 45°  
O'RING FILETTO METRICO  
CONO 24° - SERIE PESANTE  
45° O'RING METRIC SWIVEL  
FEMALE 24° CONE - HEAVY TYPE



Cod. 45ORMSFH..PC

Pag. 3.11

FEMMINA GIREVOLE 90°  
O'RING FILETTO METRICO  
CONO 24° - SERIE LEGGERA  
90° O'RING METRIC SWIVEL  
FEMALE 24° CONE - LIGHT TYPE



Cod. 90ORMSFL..PC

Pag. 3.12

FEMMINA GIREVOLE 90°  
O'RING FILETTO METRICO  
CONO 24° - SERIE PESANTE  
90° O'RING METRIC SWIVEL  
FEMALE 24° CONE - HEAVY TYPE



Cod. 90ORMSFH..PC

Pag. 3.13

FEMMINA METRICA OGIVA 24°/60°  
METRIC MULTISEAL FEMALE 24°/60°



Cod. MSFLMS..PC

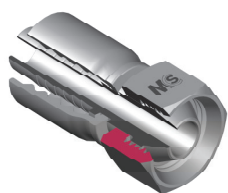
Pag. 3.14

FEMMINA 90° METRICA OGIVA 24°/60°  
90° METRIC MULTISEAL FEMALE 24°/60°



Cod. 90MSFLMS..PC

Pag. 3.15



**FEMMINA METRICA CONO 60°**  
**METRIC FEMALE 60° CONE**

*Cod. MSFL..PC*

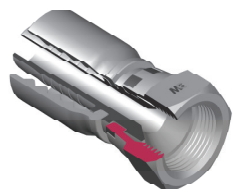
*Pag. 3.16*



**FEMMINA METRICA A 90° CONO 60°**  
**90° METRIC FEMALE 60° CONE**

*Cod. 90MSFL..PC*

*Pag. 3.17*



**FEMMINA GIREVOLE JIC SV. 74°**  
**JIC SWIVEL FEMALE 74° CONE**

*Cod. JSF..PC*

*Pag. 3.18*



**FEMMINA GIREVOLE 45° JIC SV. 74°**  
**45° JIC SWIVEL FEMALE 74° CONE**

*Cod. 45JSF..PC*

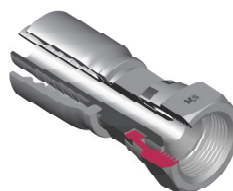
*Pag. 3.19*



**FEMMINA GIREVOLE 90° JIC SV. 74°**  
**90° JIC SWIVEL FEMALE 74° CONE**

*Cod. 90JSF..PC*

*Pag. 3.20*



**FEMMINA GIREVOLE JIC SV. 74°**  
**DOPPIO ESAGONO**  
**JIC SWIVEL FEMALE 74° CONE**  
**DOUBLE HEXAGON**

*Cod. JSFDH..PC*

*Pag. 3.21*



**FEMINA GIREVOLE GAS SEDE PIANA**  
**BSP SWIVEL FEMALE FLAT SEAT**

*Cod. BSPSFFS..PC*

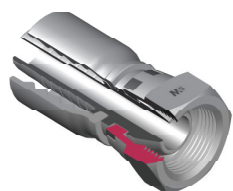
*Pag. 3.22*



**FEMMINA GIREVOLE 90° GAS**  
**SEDE PIANA**  
**90° BSP SWIVEL FEMALE FLAT SEAT**

*Cod. 90BSPSFFS..PC*

*Pag. 3.23*



**FEMMINA GIREVOLE NPSM CONO 60°**  
**NPSM SWIVEL FEMALE 60° CONE**

*Cod. NPSMSF..PC*

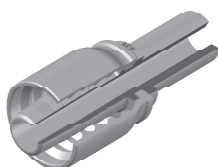
*Pag. 3.24*



**FEMMINA GIREVOLE 90°**  
**NPSM CONO 60°**  
**90° NPSM SWIVEL FEMALE 60° CONE**

*Cod. 90NPSMSF..PC*

*Pag. 3.25*



**FEMMINA METRICA TUBOLARE -**  
**SERIE LEGGERA/PESANTE**  
**METRIC STANDPIPE -**  
**LIGHT/HEAVY TYPE**

*Cod. SLH..PC*

*Pag. 3.26*



**FEMMINA METRICA TUBOLARE 45° -**  
**SERIE LEGGERA/PESANTE**  
**45° METRIC STANDPIPE -**  
**LIGHT/HEAVY TYPE**

*Cod. 45SLH..PC*

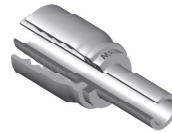
*Pag. 3.27*



**FEMMINA METRICA TUBOLARE 90° -  
SERIE LEGGERA/PESANTE**  
90° METRIC STANDPIPE -  
LIGHT/HEAVY TYPE

Cod. 90SLH..PC

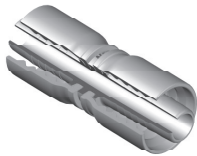
Pag. 3.28



**FEMMINA TUBOLARE  
(PER TUBO IN POLLICI)**  
IMPERIAL STANDPIPE

Cod. IS..PC

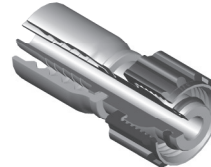
Pag. 3.29



**FEMMINA TUBOLARE  
DOPPIA ESTREMITÀ**  
DOUBLE HOSE STANDPIPE

Cod. DHS..PC

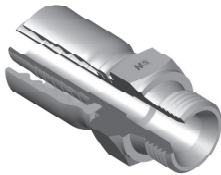
Pag. 3.30



**FEMMINA PER IDROPULITRICI  
K' FEMALE**

Cod. KF..PC

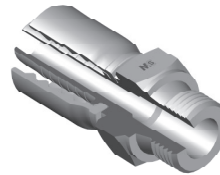
Pag. 3.31



**MASCHIO SVASATO A 60°**  
Filetto Gas Cilindrico  
MALE 60° CONE  
Thread BSP Parallel

Cod. BSPM..PC

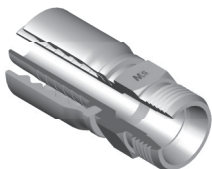
Pag. 3.32



**MASCHIO SEDE PIANA**  
Filetto Gas Cilindrico  
MALE FLAT SEAT  
Thread BSP Parallel

Cod. BSPMFS..PC

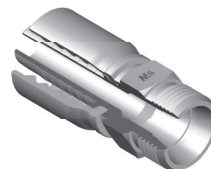
Pag. 3.33



**MASCHIO METRICO SV. 24° -  
SERIE LEGGERA**  
METRIC MALE 24° CONE - LIGHT TYPE

Cod. MML..PC

Pag. 3.34



**MASCHIO METRICO SV. 24° -  
SERIE PESANTE**  
METRIC MALE 24° CONE - HEAVY TYPE

Cod. MMH..PC

Pag. 3.35



**MASCHIO SVASATO 60°**  
Filetto Gas Conico  
MALE 60° CONE  
Thread BSP taper

Cod. BSPTM..PC

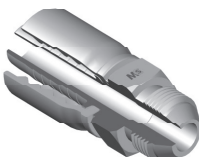
Pag. 3.36



**MASCHIO SVASATO 60°**  
Filetto NPT  
MALE 60° CONE  
Thread NPT

Cod. NPTM..PC

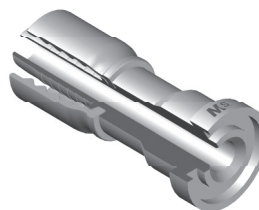
Pag. 3.37



**MASCHIO JIC CONO 74°**  
JIC MALE 74° CONE

Cod. JM..PC

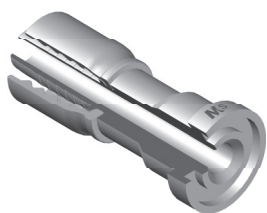
Pag. 3.38



**FLANGIA SAE SERIE 3000 PSI**  
SAE STRAIGHT FLANGE 3000 PSI

Cod. SSF3000..PC

Pag. 3.39



FLANGIA SAE SERIE 6000 PSI  
SAE STRAIGHT FLANGE 6000 PSI

Cod. SSF6000..PC

Pag. 3.40



FLANGIA 45° SAE SERIE 3000 PSI  
45° SAE FLANGE 3000 PSI

Cod. 45SF3000..PC

Pag. 3.41



FLANGIA 45° SAE SERIE 6000 PSI  
45° SAE FLANGE 6000 PSI

Cod. 45SF6000..PC

Pag. 3.42



FLANGIA 90° SAE SERIE 3000 PSI  
90° SAE FLANGE 3000 PSI

Cod. 90SF3000..PC

Pag. 3.43



FLANGIA 90° SAE SERIE 6000 PSI  
90° SAE FLANGE 6000 PSI

Cod. 90SF6000..PC

Pag. 3.44



OCCHIO GAS  
BSP BANJO

Cod. BSPBJ..PC

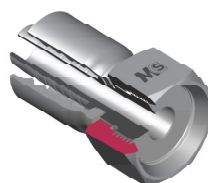
Pag. 3.45



OCCHIO METRICO  
METRIC BANJO

Cod. MBJ..PC

Pag. 3.46



FEMMINA ORFS  
ORFS FEMALE

Cod. ORFSF..PC

Pag. 3.47



FEMMINA 45° ORFS  
45° ORFS FEMALE

Cod. 45ORFSF..PC

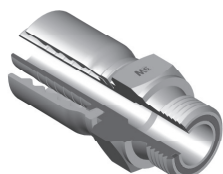
Pag. 3.48



FEMMINA 90° ORFS  
90° ORFS FEMALE

Cod. 90ORFSF..PC

Pag. 3.49



MASCHIO ORFS  
ORFS MALE

Cod. ORFSM..PC

Pag. 3.50

# COME ORDINARE HOW TO ORDER

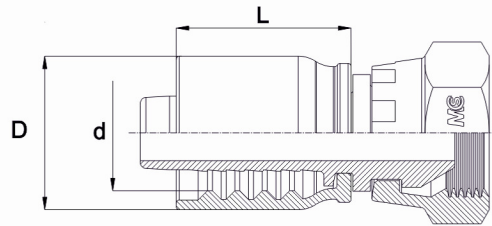
Esempio di codice/ Exemplifying part number :

## BSPSF0404PC

**Femmina Girevole GAS SV.60° 1/4" x T.1/4"**  
**Inserto gambo standard con boccola OneGCEvo™**  
 BSP Swivel Female 60° Cone 1/4" x H.1/4"  
 Standard tail with OneGCEvo™ ferrule

## BSPSF0404PC/R7

**Femmina Girevole GAS SV.60° 1/4" x T.1/4"**  
**Inserto gambo standard con boccola R7**  
 BSP Swivel Female 60° Cone 1/4" x H.1/4"  
 Standard tail with R7 ferrule



Immagina di poter utilizzare un'unica boccola...  
 Imagine a single ferrule for all your needs...



## FR7

Codice Part Number	Ø Int. Tubo Inch. Hose I.D.	D	d	L
FR2T03*	3/16"	20,0	14,4	29,5
OneGG <sub>evc</sub> -04	1/4"	22,0	16,0	30,0
OneGG <sub>evc</sub> -05	5/16"	24,0	17,5	32,0
OneGG <sub>evc</sub> -06	3/8"	26,0	19,6	32,0
OneGG <sub>evc</sub> -08	1/2"	30,0	23,0	34,0
OneGG <sub>evc</sub> -10	5/8"	33,0	26,1	38,0
OneGG <sub>evc</sub> -12	3/4"	38,0	30,2	42,0
OneGG <sub>evc</sub> -16	1"	46,0	38,7	48,0
OneGG <sub>evc</sub> -20	1"1/4	60,0	49,0	56,0
OneGG <sub>evc</sub> -24	1"1/2	65,0	55,5	63,0
OneGG <sub>evc</sub> -32	2"	80,0	68,5	74,0

Codice Part Number	Ø Int. Tubo Inch. Hose I.D.	D	d	L
FR702	1/8"	12,0	9,0	24,0
FR703	3/16"	14,0	10,7	26,0
FR704	1/4"	17,0	13,6	29,5
FR705	5/16"	19,0	15,2	30,0
FR706	3/8"	21,0	16,8	31,0
FR708	1/2"	25,5	21,0	34,0
FR710	5/8"	28,5	24,0	37,0
FR712	3/4"	32,0	27,5	42,0
FR716	1"	43,5	36,0	48,0

\*\* 3/16": OneGC™ non disponibile - OneGC™ not available for 3/16"

**GHIERA ONEGC™ PER:  
ONEGC™ FERRULE FOR:**

**SAE 100 R1AT (EN 853 1SN)  
 SAE 100 R2AT (EN 853 2SN)  
 SAE 100 R2A(EN 853 2ST) ISO 4079-1  
 SAE 100 R16S (EN 857 2SC)  
 SAE 100 1SC (EN 857 1SC)  
 SAE 100 R15 (ISO 3862-1 R15)  
 SAE 100 R16 (ISO 11237-1 R16)  
 SAE 100R9R EN 856 4SP (ISO 3862-1 4SP)  
 EN 856 4SH (ISO 3862-1 4SH)  
 SAE100 R12 (EN 856 R12)  
 SAE 100 R13 (EN 856 R13)  
 HOSE TYPE**

**GHIERA R7 PER :  
R7 FERRULE FOR :**

**SAE 100 R7 (EN 855 R7)  
 SAE 100 R8 (EN 855 R8)  
 SAE 100 R6 (EN 854 1TE)  
 SAE 100 R1 (MTH1 SERIES)  
 PTFE DOUBLE STAINLESS STEEL BRAID  
 HOSE TYPE**

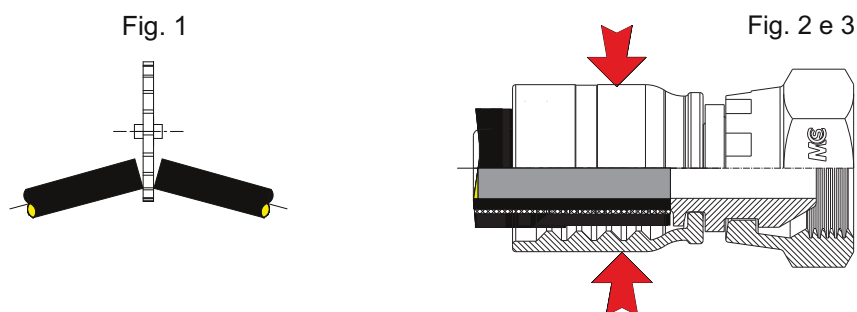
## ISTRUZIONI DI MONTAGGIO DEI RACCORDI PER TUBI FLESSIBILI. HOSE FITTINGS ASSEMBLY INSTRUCTIONS

### RACCORDI PER TUBI FLESSIBILI NO SKIVE (SENZA PELATURA ESTERNA) - SERIE STANDARD

1. Tagliare il tubo alla lunghezza desiderata e ad angolo retto e eliminare all'imbocco del tubo eventuali residui dovuti al taglio.
2. Inserire la ghiera e le resche nel tubo fino al loro arresto.
3. Pressare quindi la ghiera sul tubo al diametro di pressatura indicato nella tabella di assemblaggio.

#### STANDARD FITTINGS FOR NO SKIVE HOSES

1. Cut the hose right angle to required length, remove possible scraps.
2. Place the ferrule and insert tail onto the hose;
3. Crimp the ferrule on the hose at the swaging diameter indicated on our chart.

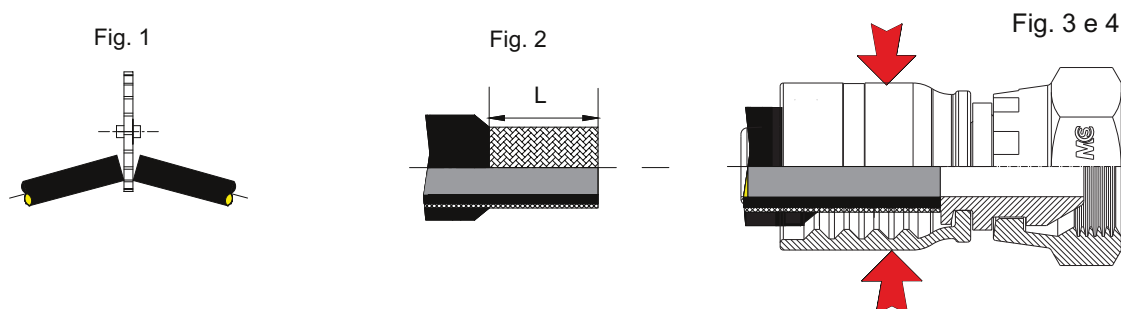


### RACCORDI PER TUBI FLESSIBILI SKIVE (CON PELATURA ESTERNA) - SERIE STANDARD

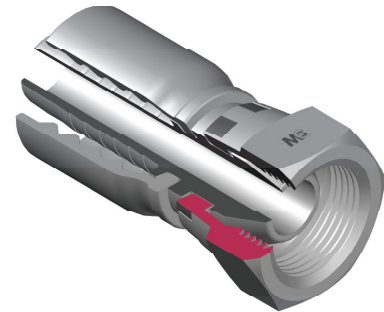
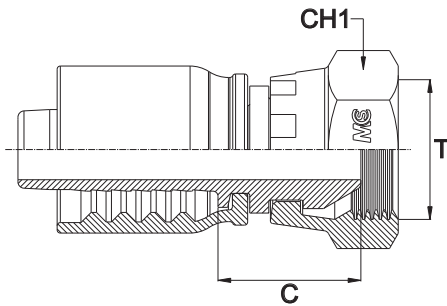
1. Tagliare il tubo alla lunghezza desiderata e ad angolo retto e eliminare all'imbocco del tubo eventuali residui dovuti al taglio.
2. Rimuovere la copertura esterna del tubo per la lunghezza indicata nella tabella di assemblaggio al diametro esterno del rinforzo metallico evitando di danneggiarlo).
3. Inserire la ghiera e le resche nel tubo fino al loro arresto.
4. Pressare quindi la ghiera sul tubo al diametro di pressatura indicato nella tabella di assemblaggio.

#### STANDARD FITTINGS FOR SKIVE HOSES

1. Cut the hose right angle to required length, remove possible scraps.
2. Remove the hose outer layer to the skiving length indicated in our chart;
3. Place the ferrule and insert tail onto the hose;
4. Crimp the ferrule on the hose at the swaging diameter indicated on our chart.



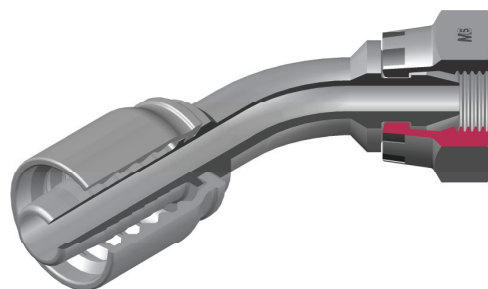
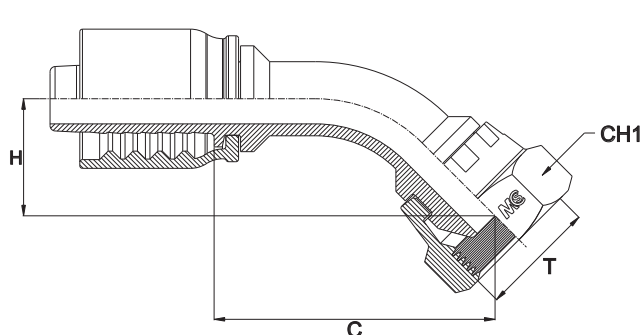
**FEMMINA GIREVOLE GAS SV. 60°**  
**BSP SWIVEL FEMALE 60° CONE**  
**- DKR -**



Bar W.P.	Codice Part Number	Filetto Thread	Ø Int. Tubo Inch. Hose I.D.	C Cut - Off	CH1
415	BSPSF0202PC	1/8"	1/8"	17	17
	BSPSF0203PC	1/8"	3/16"	17	17
	BSPSF0204PC	1/8"	1/4"	17	17
	BSPSF0402PC	1/4"	1/8"	17	19
	BSPSF0403PC	1/4"	3/16"	17	19
450	BSPSF0404PC	1/4"	1/4"	17	19
350	BSPSF0405PC	1/4"	5/16"	17	19
450	BSPSF0406PC	1/4"	3/8"	17	19
415	BSPSF0603PC	3/8"	3/16"	19	22
450	BSPSF0604PC	3/8"	1/4"	19	22
350	BSPSF0605PC	3/8"	5/16"	20	22
450	BSPSF0606PC	3/8"	3/8"	19	22
415	BSPSF0608PC	3/8"	1/2"	19	22
450	BSPSF0804PC	1/2"	1/4"	22	27
350	BSPSF0805PC	1/2"	5/16"	23	27
450	BSPSF0806PC	1/2"	3/8"	22	27
415	BSPSF0808PC	1/2"	1/2"	23	27
350	BSPSF0810PC	1/2"	5/8"	25	27
	BSPSF0812PC	1/2"	3/4"	24	27
415	BSPSF1008PC	5/8"	1/2"	25	30
350	BSPSF1010PC	5/8"	5/8"	25	30
250	BSPSF1012PC	5/8"	3/4"	24	30
415	BSPSF1206PC	3/4"	3/8"	24	32
	BSPSF1208PC	3/4"	1/2"	24	32
350	BSPSF1210PC	3/4"	5/8"	27	32
	BSPSF1212PC	3/4"	3/4"	25	32
280	BSPSF1216PC	3/4"	1"	27	32
350	BSPSF1612PC	1"	3/4"	26	38
280	BSPSF1616PC	1"	1"	27	38
210	BSPSF1620PC	1"	1"1/4"	28	38
280	BSPSF2016PC	1"1/4"	1"	27	50
210	BSPSF2020PC	1"1/4"	1"1/4"	28	50
	BSPSF2420PC	1"1/2"	1"1/4"	32	55
185	BSPSF2424PC	1"1/2"	1"1/2"	33	55

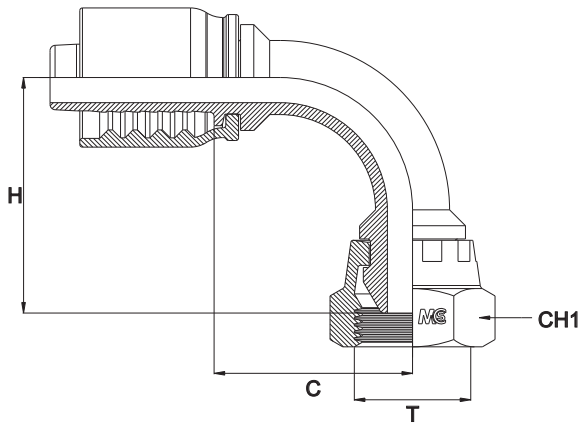


**FEMMINA GIREVOLE A 45° GAS SV. 60°**  
**45° BSP SWIVEL FEMALE 60° CONE**  
**- DKR 45° -**



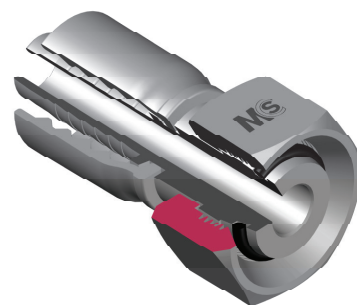
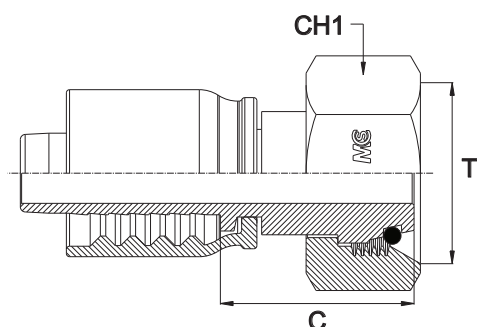
Bar W.P.	Codice Part Number	Filetto Thread	Ø Int. Tubo Inch. Hose I.D.	C Cut - Off	H Drop	CH1
415	45BSPSF0202PC	1/8"	1/8"	39,0	17,0	17
	45BSPSF0402PC	1/4"	1/8"	39,0	17,0	19
	45BSPSF0203PC	1/8"	3/16"	39,0	15,5	17
	45BSPSF0204PC	1/8"	1/4"	39,5	16,5	17
	45BSPSF0403PC	1/4"	3/16"	39,0	15,5	19
450	45BSPSF0404PC	1/4"	1/4"	39,5	16,5	19
350	45BSPSF0405PC	1/4"	5/16"	37,0	16,0	19
450	45BSPSF0406PC	1/4"	3/8"	54,0	15,5	19
	45BSPSF0604PC	3/8"	1/4"	38,5	22,5	22
350	45BSPSF0605PC	3/8"	5/16"	58,0	30,0	22
450	45BSPSF0606PC	3/8"	3/8"	56,0	22,0	22
415	45BSPSF0608PC	3/8"	1/2"	-	-	22
350	45BSPSF0805PC	1/2"	5/16"	-	-	27
450	45BSPSF0806PC	1/2"	3/8"	57,5	22,0	27
415	45BSPSF0808PC	1/2"	1/2"	63,5	24,0	27
350	45BSPSF0810PC	1/2"	5/8"	76,0	26,5	27
	45BSPSF0812PC	1/2"	3/4"	87,4	27,5	27
415	45BSPSF1008PC	5/8"	1/2"	-	-	30
350	45BSPSF1010PC	5/8"	5/8"	72,0	21,0	30
415	45BSPSF1208PC	3/4"	1/2"	-	-	32
350	45BSPSF1210PC	3/4"	5/8"	76,5	27,5	32
	45BSPSF1212PC	3/4"	3/4"	86,5	32,5	32
	45BSPSF1612PC	1"	3/4"	89,0	34,0	38
280	45BSPSF1616PC	1"	1"	112,5	38,5	38
	45BSPSF2016PC	1"1/4"	1"	-	-	50
150	45BSPSF2020PC	1"1/4"	1"1/4"	145,5	45,0	50
210	45BSPSF2420PC	1"1/2"	1"1/4"	-	-	55
185	45BSPSF2424PC	1"1/2"	1"1/2"	172,5	55,5	55

**FEMMINA GIREVOLE A 90° GAS SV. 60°**  
**90° BSP SWIVEL FEMALE 60° CONE**  
**- DKR 90° -**



Bar W.P.	Codice Part Number	Filetto Thread	Ø Int. Tubo Inch. Hose I.D.	C Cut - Off	H Drop	CH1
415	90BSPSF0202PC	1/8"	1/8"	23,5	26,5	17
	90BSPSF0402PC	1/4"	1/8"	23,5	26,5	19
	90BSPSF0203PC	1/8"	3/16"	28,5	29,0	17
	90BSPSF0204PC	1/8"	1/4"	23,5	26,5	17
	90BSPSF0403PC	1/4"	3/16"	28,5	28,0	19
450	90BSPSF0404PC	1/4"	1/4"	23,5	27,5	19
350	90BSPSF0405PC	1/4"	5/16"	25,5	25,5	19
450	90BSPSF0406PC	1/4"	3/8"	34,5	34,5	19
	90BSPSF0604PC	3/8"	1/4"	23,5	35,5	22
350	90BSPSF0605PC	3/8"	5/16"	25,5	36,0	22
450	90BSPSF0606PC	3/8"	3/8"	34,5	36,5	22
415	90BSPSF0608PC	3/8"	1/2"	37,5	44,5	22
350	90BSPSF0805PC	1/2"	5/16"	25,5	-	27
450	90BSPSF0806PC	1/2"	3/8"	34,5	37,0	27
415	90BSPSF0808PC	1/2"	1/2"	37,5	44,5	27
350	90BSPSF0810PC	1/2"	5/8"	44,5	52,0	27
	90BSPSF0812PC	1/2"	3/4"	52,5	59,5	27
415	90BSPSF1008PC	5/8"	1/2"	37,5	-	30
350	90BSPSF1010PC	5/8"	5/8"	44,5	52,5	30
415	90BSPSF1208PC	3/4"	1/2"	37,5	47,0	32
350	90BSPSF1210PC	3/4"	5/8"	44,5	52,0	32
	90BSPSF1212PC	3/4"	3/4"	52,5	59,0	32
	90BSPSF1612PC	1"	3/4"	52,5	62,0	38
280	90BSPSF1616PC	1"	1"	67,5	74,5	38
	90BSPSF2016PC	1"1/4"	1"	67,5	-	50
150	90BSPSF2020PC	1"1/4"	1"1/4"	89,0	85,7	50
210	90BSPSF2420PC	1"1/2"	1"1/4"	85,0	103,0	55
185	90BSPSF2424PC	1"1/2"	1"1/2"	114,0	110,0	55

**FEMMINA GIREVOLE O'RING FILETTO METRICO CONO 24° - SERIE LEGGERA**  
**O'RING METRIC SWIVEL FEMALE 24° CONE - LIGHT TYPE**  
**- DKOL -**



Bar W.P.	Codice Part Number	Filetto Thread	Ø Int. Tubo Inch. Hose I.D.	DIN 24°	C Cut - Off	CH1
280	ORMSFLO602PC	12x1,5	1/8"	06L	22,5	14
	ORMSFLO603PC	12x1,5	3/16"	06L	22,5	14
	ORMSFLO604PC	12x1,5	1/4"	06L	21,5	14
	ORMSFLO803PC	14x1,5	3/16"	08L	22,5	17
	ORMSFLO804PC	14x1,5	1/4"	08L	21,5	17
	ORMSFLO805PC	14x1,5	5/16"	08L	23,0	17
	ORMSFLO806PC*	14x1,5	3/8"	08L	21,0	17
	ORMSFL1003PC	16x1,5	3/16"	10L	26,0	19
	ORMSFL1004PC	16x1,5	1/4"	10L	26,0	19
	ORMSFL1005PC	16x1,5	5/16"	10L	26,0	19
	ORMSFL1006PC	16x1,5	3/8"	10L	26,0	19
	ORMSFL1204PC	18x1,5	1/4"	12L	24,5	22
	ORMSFL1205PC	18x1,5	5/16"	12L	26,0	22
	ORMSFL1206PC	18x1,5	3/8"	12L	26,0	22
	ORMSFL1208PC*	18x1,5	1/2"	12L	22,5	22
	ORMSFL1505PC	22x1,5	5/16"	15L	27,0	27
	ORMSFL1506PC	22x1,5	3/8"	15L	27,0	27
	ORMSFL1508PC	22x1,5	1/2"	15L	27,0	27
ORMSFL1510PC	22x1,5	5/8"	15L	27,0	27	
ORMSFL1512PC*	22x1,5	3/4"	15L	27,6	27	
ORMSFL1806PC	26x1,5	3/8"	18L	30,5	32	
210	ORMSFL1808PC	26x1,5	1/2"	18L	30,5	32
	ORMSFL1810PC	26x1,5	5/8"	18L	30,5	32
	ORMSFL1812PC*	26x1,5	3/4"	18L	31,0	32
	ORMSFL2208PC	30x2	1/2"	22L	36,0	36
	ORMSFL2210PC	30x2	5/8"	22L	36,0	36
	ORMSFL2212PC	30x2	3/4"	22L	36,5	36
ORMSFL2216PC	30x2	1"	22L	31,0	36	
165	ORMSFL2810PC	36x2	5/8"	28L	37,0	41
	ORMSFL2812PC	36x2	3/4"	28L	37,0	41
	ORMSFL2816PC	36x2	1"	28L	37,0	41
	ORMSFL2820PC*	36x2	1"1/4"	28L	36,5	41
125	ORMSFL3520PC	45x2	1"1/4"	35L	36,5	50
100	ORMSFL4224PC	52x2	1"1/2"	42L	36,5	60

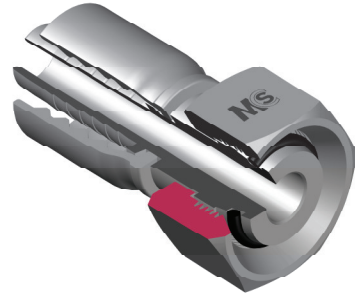
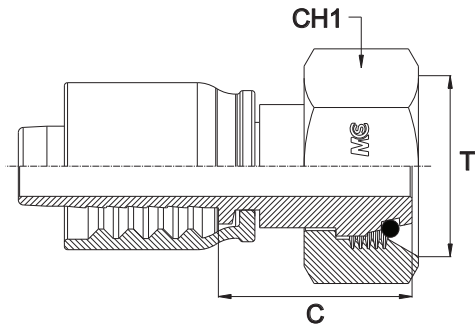
\* Dado Pressato

\* Crimp Nut

# FEMMINA GIREVOLE O'RING FILETTO METRICO CONO 24° - SERIE PESANTE

## O'RING METRIC SWIVEL FEMALE 24° CONE - HEAVY TYPE

### - DKOS -

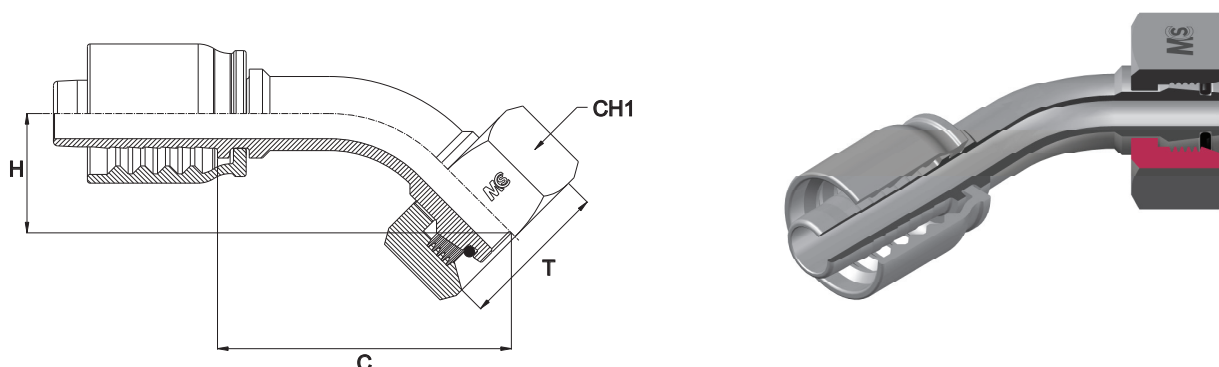


Bar W.P.	Codice Part Number	Filetto Thread	Ø Int. Tubo Inch. Hose I.D.	DIN 24°	C Cut - Off	CH1
420	ORMSFH0603PC	14x1,5	3/16"	06S	22,5	17
450	ORMSFH0604PC	14x1,5	1/4"	06S	22,5	17
420	ORMSFH0803PC	16x1,5	3/16"	08S	22,5	19
450	ORMSFH0804PC	16x1,5	1/4"	08S	22,5	19
350	ORMSFH0805PC	16x1,5	5/16"	08S	26,0	19
450	ORMSFH0806PC	16x1,5	3/8"	08S	26,0	19
350	ORMSFH1004PC	18x1,5	1/4"	10S	25,5	22
350	ORMSFH1005PC	18x1,5	5/16"	10S	26,0	22
450	ORMSFH1006PC	18x1,5	3/8"	10S	26,0	22
350	ORMSFH1204PC	20x1,5	1/4"	12S	26,0	24
350	ORMSFH1205PC	20x1,5	5/16"	12S	26,0	24
450	ORMSFH1206PC	20x1,5	3/8"	12S	26,0	24
420	ORMSFH1208PC	20x1,5	1/2"	12S	27,0	24
350	ORMSFH1405PC	22x1,5	5/16"	14S	27,0	27
450	ORMSFH1406PC	22x1,5	3/8"	14S	26,5	27
420	ORMSFH1408PC	22x1,5	1/2"	14S	26,0	27
420	ORMSFH1606PC	24x1,5	3/8"	16S	32,0	30
420	ORMSFH1608PC	24x1,5	1/2"	16S	32,0	30
350	ORMSFH1610PC	24x1,5	5/8"	16S	36,0	30
350	ORMSFH2008PC	30x2	1/2"	20S	36,0	36
350	ORMSFH2010PC	30x2	5/8"	20S	36,0	36
350	ORMSFH2012PC	30x2	3/4"	20S	36,5	36
350	ORMSFH2510PC	36x2	5/8"	25S	36,5	46
350	ORMSFH2512PC	36x2	3/4"	25S	36,5	46
280	ORMSFH2516PC	36x2	1"	25S	37,0	46
280	ORMSFH3012PC	42x2	3/4"	30S	36,5	50
280	ORMSFH3016PC	42x2	1"	30S	37,0	50
280	ORMSFH3020PC*	42x2	1" 1/4	30S	36,5	50
210	ORMSFH3816PC	52x2	1"	38S	37,0	60
210	ORMSFH3820PC	52x2	1" 1/4	38S	42,5	60
185	ORMSFH3824PC	52x2	1" 1/2	38S	42,5	60
185	ORMSFH5024PC	68x2	1" 1/2	50S	37,0	80

\* Dado Pressato

\* Crimp Nut

**FEMMINA GIREVOLE 45° O'RING FILETTO METRICO CONO 24° - SERIE LEGGERA**  
**45° O'RING METRIC SWIVEL FEMALE 24° CONE - LIGHT TYPE**  
**- DKOL 45° -**

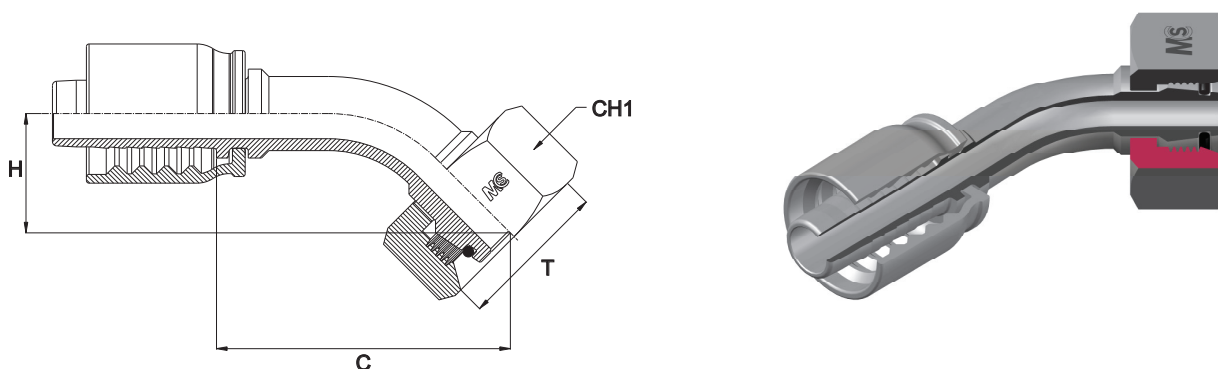


Bar W.P.	Codice Part Number	Filetto Thread	Ø Int. Tubo Inch. Hose I.D.	DIN 24°	C Cut - Off	H Drop	CH1
280	45ORMSFLO603PC	12x1,5	3/16"	06L	44,0	22,0	14
	45ORMSFLO604PC	12x1,5	1/4"	06L	43,5	15,7	14
	45ORMSFLO803PC	14x1,5	3/16"	08L	43,5	19,5	17
	45ORMSFLO804PC	14x1,5	1/4"	08L	50,0	18,0	17
	45ORMSFLO805PC	14x1,5	5/16"	08L	-	-	17
	45ORMSFL1004PC	16x1,5	1/4"	10L	48,0	19,0	19
	45ORMSFL1005PC	16x1,5	5/16"	10L	59,0	19,5	19
	45ORMSFL1006PC	16x1,5	3/8"	10L	55,0	18,0	19
	45ORMSFL1204PC	18x1,5	1/4"	12L	46,0	32,0	22
	45ORMSFL1205PC	18x1,5	5/16"	12L	59,0	22,0	22
	45ORMSFL1206PC	18x1,5	3/8"	12L	56,5	21,0	22
	45ORMSFL1208PC*	18x1,5	1/2"	12L	62,0	20,5	22
	45ORMSFL1506PC	22x1,5	3/8"	15L	-	-	27
45ORMSFL1508PC	22x1,5	1/2"	15L	68,0	25,5	27	
210	45ORMSFL1806PC	26x1,5	3/8"	18L	-	-	32
	45ORMSFL1808PC	26x1,5	1/2"	18L	70,5	28,5	32
	45ORMSFL1810PC	26x1,5	5/8"	18L	75,5	28,0	32
	45ORMSFL1812PC	26x1,5	3/4"	18L	85,0	22,5	32
	45ORMSFL2210PC	30x2	5/8"	22L	-	-	36
45ORMSFL2212PC	30x2	3/4"	22L	88,5	33,0	36	
165	45ORMSFL2812PC	36x2	3/4"	28L	86,0	27,5	41
	45ORMSFL2816PC	36x2	1"	28L	108,0	37,0	41
125	45ORMSFL3520PC	45x2	1" 1/4	35L	132,5	32,5	50
100	45ORMSFL4224PC	52x2	1" 1/2	42L	-	-	60

\* Dado Pressato

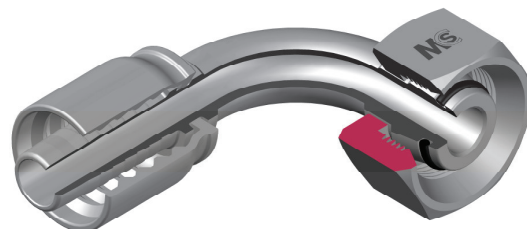
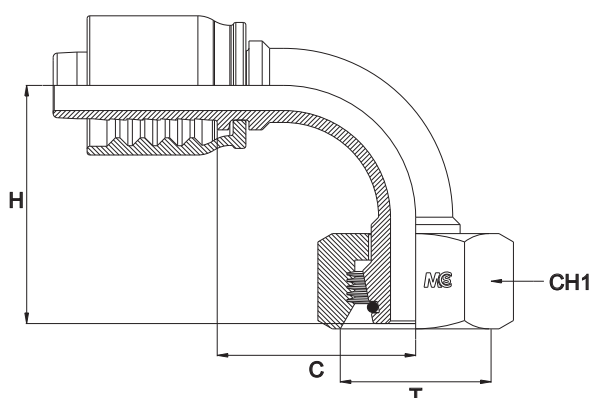
\* Crimp Nut

**FEMMINA GIREVOLE 45° O'RING FILETTO METRICO CONO 24° - SERIE PESANTE**  
**45° O'RING METRIC SWIVEL FEMALE 24° CONE - HEAVY TYPE**  
**- DKOS 45° -**



Bar W.P.	Codice Part Number	Filetto Thread	Ø Int. Tubo Inch. Hose I.D.	DIN 24°	C Cut - Off	H Drop	CH1
420	45ORMSFH0603PC	14x1,5	3/16"	06S	-	-	17
450	45ORMSFH0604PC	14x1,5	1/4"	06S	-	-	17
420	45ORMSFH0803PC	16x1,5	3/16"	08S	-	-	19
450	45ORMSFH0804PC	16x1,5	1/4"	08S	47,0	16,5	19
350	45ORMSFH0805PC	16x1,5	5/16"	08S	-	-	19
450	45ORMSFH1004PC	18x1,5	1/4"	10S	48,5	22,5	22
350	45ORMSFH1005PC	18x1,5	5/16"	10S	-	-	22
450	45ORMSFH1006PC	18x1,5	3/8"	10S	55,0	19,0	22
	45ORMSFH1204PC	20x1,5	1/4"	12S	-	-	24
350	45ORMSFH1205PC	20x1,5	5/16"	12S	55,0	18,5	24
450	45ORMSFH1206PC	20x1,5	3/8"	12S	58,5	22,5	24
420	45ORMSFH1208PC	20x1,5	1/2"	12S	-	-	24
450	45ORMSFH1406PC	22x1,5	3/8"	14S	57,0	25,5	27
	45ORMSFH1408PC	22x1,5	1/2"	14S	-	-	27
420	45ORMSFH1606PC	24x1,5	3/8"	16S	-	-	30
	45ORMSFH1608PC	24x1,5	1/2"	16S	67,5	28,0	30
350	45ORMSFH1610PC	24x1,5	5/8"	16S	68,0	23,0	30
	45ORMSFH2008PC	30x2	1/2"	20S	-	-	36
	45ORMSFH2010PC	30x2	5/8"	20S	73,5	28,5	36
	45ORMSFH2012PC	30x2	3/4"	20S	87,0	29,5	36
280	45ORMSFH2512PC	36x2	3/4"	25S	89,5	35,0	46
	45ORMSFH2516PC	36x2	1"	25S	110,5	35,0	46
	45ORMSFH3012PC	42x2	3/4"	30S	89,0	30,5	50
210	45ORMSFH3016PC	42x2	1"	30S	110,5	35,0	50
	45ORMSFH3820PC	52x2	1" 1/4	38S	138,0	62,0	60
185	45ORMSFH3824PC	52x2	1" 1/2	38S	-	-	60
	45ORMSFH5024PC	68x2	1" 1/2	50S	-	-	80

**FEMMINA GIREVOLE 90° O'RING FILETTO METRICO CONO 24° - SERIE LEGGERA**  
**90° O'RING METRIC SWIVEL FEMALE 24° CONE - LIGHT TYPE**  
**- DKOL 90° -**



Bar W.P.	Codice Part Number	Filetto Thread	Ø Int. Tubo Inch. Hose I.D.	DIN 24°	C Cut - Off	H Drop	CH1
280	900RMSFL0603PC	12x1,5	3/16"	06L	24,5	32,0	14
	900RMSFL0604PC	12x1,5	1/4"	06L	24,0	32,0	14
	900RMSFL0803PC	14x1,5	3/16"	08L	26,5	31,0	17
	900RMSFL0804PC	14x1,5	1/4"	08L	24,0	32,0	17
	900RMSFL0805PC	14x1,5	5/16"	08L	33,5	39,1	17
	900RMSFL1003PC	16x1,5	3/16"	10L	27,5	35,0	17
	900RMSFL1004PC	16x1,5	1/4"	10L	28,0	34,5	19
	900RMSFL1005PC	16x1,5	5/16"	10L	37,0	36,5	19
	900RMSFL1006PC	16x1,5	3/8"	10L	35,0	37,5	19
	900RMSFL1204PC	18x1,5	1/4"	12L	27,0	36,5	22
	900RMSFL1205PC	18x1,5	5/16"	12L	37,0	36,5	22
	900RMSFL1206PC	18x1,5	3/8"	12L	35,5	36,5	22
	900RMSFL1208PC*	18x1,5	1/2"	12L	36,5	36,5	22
210	900RMSFL1506PC	22x1,5	3/8"	15L	40,0	38,5	27
	900RMSFL1508PC	22x1,5	1/2"	15L	37,5	45,0	27
	900RMSFL1806PC	26x1,5	1/2"	18L	39,0	38,5	32
	900RMSFL1808PC	26x1,5	1/2"	18L	39,0	49,0	32
	900RMSFL1810PC	26x1,5	5/8"	18L	44,0	48,5	32
	900RMSFL1812PC	26x1,5	3/4"	18L	52,0	63,0	32
165	900RMSFL2210PC	30x2	5/8"	22L	46,0	47,5	36
	900RMSFL2212PC	30x2	3/4"	22L	55,5	60,5	36
125	900RMSFL2812PC	36x2	3/4"	28L	56,0	61,0	41
	900RMSFL2816PC	36x2	1"	28L	62,5	79,5	41
100	900RMSFL3520PC	45x2	1" 1/4	35L	85,0	93,5	50
100	900RMSFL4224PC	52x2	1" 1/2	42L	107,0	111,0	60

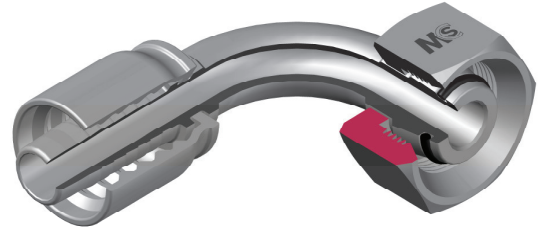
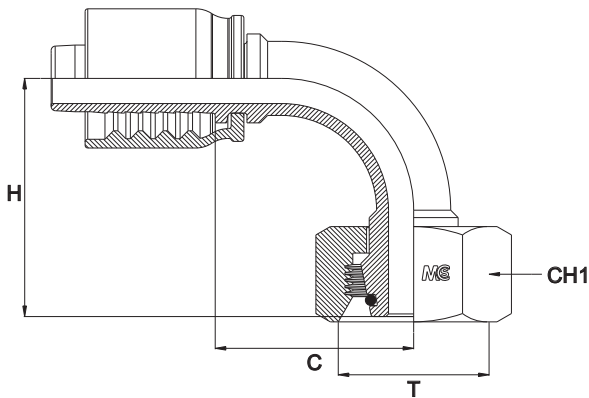
\* Dado Pressato

\* Crimp Nut

# FEMMINA GIREVOLE 90° O'RING FILETTO METRICO CONO 24° - SERIE PESANTE

## 90° O'RING METRIC SWIVEL FEMALE 24° CONE - HEAVY TYPE

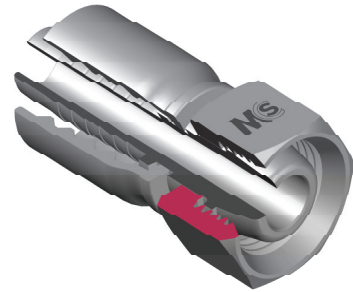
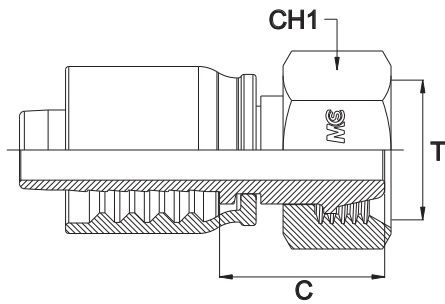
### - DKOS 90° -



Bar W.P.	Codice Part Number	Filetto Thread	Ø Int. Tubo Inch. Hose I.D.	DIN 24°	C Cut - Off	H Drop	CH1
420	900RMSFH0603PC	14x1,5	3/16"	06S	24,5	32,0	17
450	900RMSFH0604PC	14x1,5	1/4"	06S	27,0	32,0	17
420	900RMSFH0803PC	16x1,5	3/16"	08S	27,0	32,0	19
450	900RMSFH0804PC	16x1,5	1/4"	08S	27,0	32,0	19
350	900RMSFH0805PC	16x1,5	5/16"	08S	37,0	36,5	19
350	900RMSFH0806PC	16x1,5	3/8"	08S	35,0	37,5	19
450	900RMSFH1004PC	18x1,5	1/4"	10S	28,0	35,5	22
350	900RMSFH1005PC	18x1,5	5/16"	10S	37,0	36,5	22
450	900RMSFH1006PC	18x1,5	3/8"	10S	37,0	37,5	22
	900RMSFH1204PC	20x1,5	1/4"	12S	27,0	36,5	24
350	900RMSFH1205PC	20x1,5	5/16"	12S	37,0	37,0	24
450	900RMSFH1206PC	20x1,5	3/8"	12S	35,5	36,5	24
420	900RMSFH1208PC	20x1,5	1/2"	12S	37,0	47,5	24
450	900RMSFH1406PC	22x1,5	3/8"	14S	39,5	38,5	27
420	900RMSFH1408PC	22x1,5	1/2"	14S	40,0	46,5	27
	900RMSFH1606PC	24x1,5	3/8"	16S	35,4	43,0	30
	900RMSFH1608PC	24x1,5	1/2"	16S	36,5	45,5	30
350	900RMSFH1610PC	24x1,5	5/8"	16S	42,0	50,0	30
	900RMSFH2008PC	30x2	1/2"	20S	40,0	48,0	36
	900RMSFH2010PC	30x2	5/8"	20S	42,0	50,0	36
	900RMSFH2012PC	30x2	3/4"	20S	47,5	65,5	36
	900RMSFH2512PC	36x2	3/4"	25S	55,5	60,5	46
280	900RMSFH2516PC	36x2	1"	25S	69,5	74,5	46
	900RMSFH3012PC	42x2	3/4"	30S	53,0	65,0	50
210	900RMSFH3016PC	42x2	1"	30S	68,0	78,5	50
	900RMSFH3820PC	52x2	1" 1/4	38S	84,0	93,0	60
185	900RMSFH3824PC	52x2	1" 1/2	38S	108,0	112,0	60
	900RMSFH5024PC	68x2	1" 1/2	50S	-	-	80

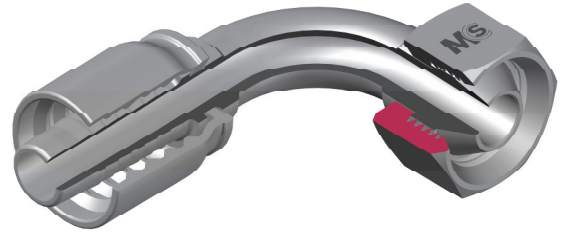
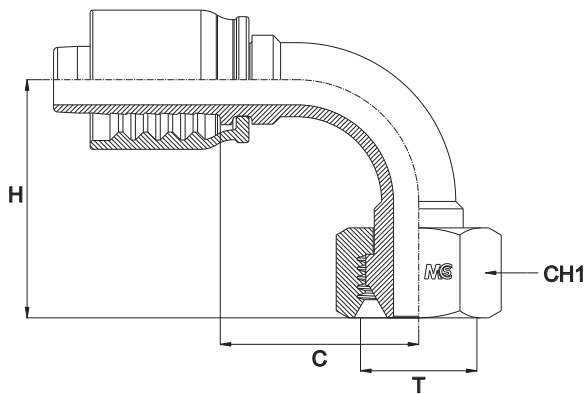


**FEMMINA METRICA OGIVA 24°/60°**  
**METRIC MULTISEAL FEMALE 24°/60°**  
**- DKL -**



Bar W.P.	Codice Part Number	Filetto Thread	Ø Int. Tubo Inch. Hose I.D.	C Cut - Off	CH1
280	MSFLMS1203PC	12x1,5	3/16"	22,0	14
	MSFLMS1204PC	12x1,5	1/4"	22,5	14
	MSFLMS1403PC	14x1,5	3/16"	22,5	17
	MSFLMS1404PC	14x1,5	1/4"	22,5	17
	MSFLMS1405PC*	14x1,5	5/16"	21,0	17
	MSFLMS1604PC	16x1,5	1/4"	26,0	19
	MSFLMS1605PC	16x1,5	5/16"	26,0	19
	MSFLMS1606PC	16x1,5	3/8"	26,0	19
	MSFLMS1804PC	18x1,5	1/4"	26,0	22
	MSFLMS1805PC	18x1,5	5/16"	26,0	22
	MSFLMS1806PC	18x1,5	3/8"	26,0	22
	MSFLMS2206PC	22x1,5	3/8"	27,0	27
MSFLMS2208PC	22x1,5	1/2"	26,0	27	
210	MSFLMS2608PC	26x1,5	1/2"	31,0	32
	MSFLMS2610PC	26x1,5	5/8"	30,5	32
	MSFLMS3012PC	30x2	3/4"	36,5	36
165	MSFLMS3616PC	36x2	1"	37,0	41
125	MSFLMS4520PC	45x2	1" 1/4	36,5	50
100	MSFLMS5224PC	52x2	1" 1/2	36,5	60

**FEMMINA 90° METRICA OGIVA 24°/60°**  
**90° METRIC MULTISEAL FEMALE 24°/60°**  
**- DKL 90° -**

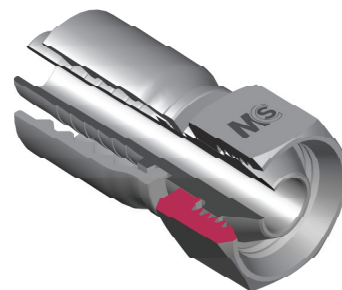
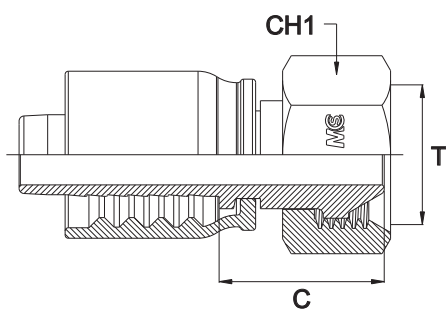


Bar W.P.	Codice Part Number	Filetto Thread	Ø Int. Tubo Inch. Hose I.D.	C Cut - Off	H Drop	CH1
280	90MSFLMS1203PC	12x1,5	3/16"	24,0	32,0	14
	90MSFLMS1204PC	12x1,5	1/4"	24,0	32,0	14
	90MSFLMS1404PC	14x1,5	1/4"	24,0	32,0	17
	90MSFLMS1405PC	14x1,5	5/16"	24,0	32,0	17
	90MSFLMS1604PC	16x1,5	1/4"	28,0	34,5	19
	90MSFLMS1605PC	16x1,5	5/16"	37,0	36,5	19
	90MSFLMS1606PC	16x1,5	3/8"	35,0	37,5	19
	90MSFLMS1804PC	18x1,5	1/4"	27,0	36,5	22
	90MSFLMS1805PC	18x1,5	5/16"	37,0	36,5	22
	90MSFLMS1806PC	18x1,5	3/8"	35,5	36,5	22
210	90MSFLMS2206PC	22x1,5	3/8"	40,0	38,5	27
	90MSFLMS2208PC	22x1,5	1/2"	37,5	45,0	27
	90MSFLMS2608PC	26x1,5	1/2"	39,0	49,0	32
165	90MSFLMS2610PC	26x1,5	5/8"	44,0	48,5	32
	90MSFLMS3012PC	30x2	3/4"	55,5	60,5	36
125	90MSFLMS3616PC	36x2	1"	70,5	75,0	41
100	90MSFLMS4520PC	45x2	1" 1/4	85,0	93,5	50
	90MSFLMS5224PC	52x2	1" 1/2	107,0	111,0	60

\* Disponibile anche a 45°

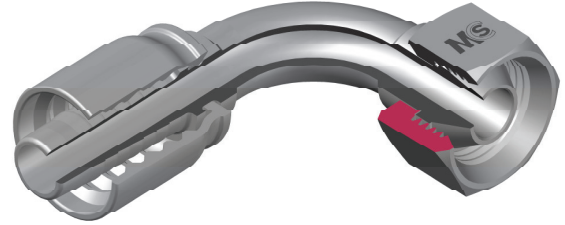
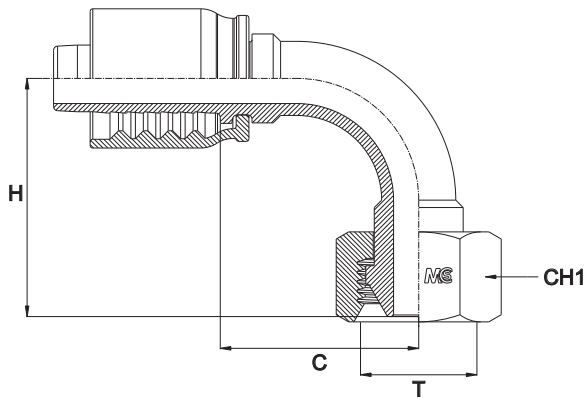
\* Also Available 45°

**FEMMINA METRICA CONO 60°**  
**METRIC FEMALE 60° CONE**  
**- DKM -**



Bar W.P.	Codice Part Number	Filetto Thread	Ø Int. Tubo Inch. Hose I.D.	C Cut - Off	CH1
350	MSFL1203PC	12x1,5	3/16"	22,0	14
	MSFL1204PC	12x1,5	1/4"	21,5	14
	MSFL1404PC	14x1,5	1/4"	21,5	17
	MSFL1405PC*	14x1,5	5/16"	21,0	17
	MSFL1604PC	16x1,5	1/4"	21,5	19
	MSFL1605PC	16x1,5	5/16"	26,0	19
315	MSFL1606PC	16x1,5	3/8"	26,0	19
	MSFL1608PC	16x1,5	1/2"	26,0	19
350	MSFL1804PC	18x1,5	1/4"	26,0	22
	MSFL1805PC	18x1,5	5/16"	26,0	22
	MSFL1806PC	18x1,5	3/8"	26,0	22
315	MSFL2006PC	20x1,5	3/8"	26,0	24
	MSFL2008PC	20x1,5	1/2"	27,0	24
	MSFL2206PC	22x1,5	3/8"	24,2	27
	MSFL2208PC	22x1,5	1/2"	26,0	27
250	MSFL2608PC	26x1,5	1/2"	31,0	32
	MSFL2610PC	26x1,5	5/8"	30,5	32
210	MSFL3012PC	30x1,5	3/4"	36,5	36
165	MSFL3816PC	38x1,5	1"	37,0	46
125	MSFL4520PC	45x1,5	1"1/4	36,5	50

**FEMMINA METRICA A 90° CONO 60°**  
**90° METRIC FEMALE 60° CONE**  
**- DKM 90° -**

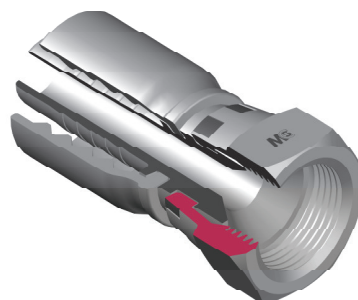
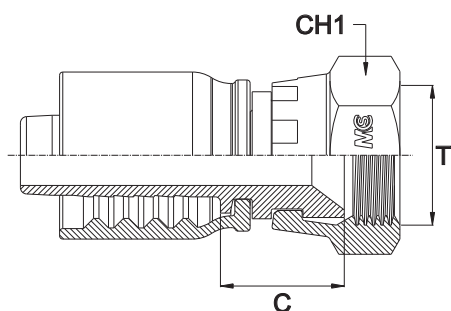


Bar W.P.	Codice Part Number	Filetto Thread	Ø Int. Tubo Inch. Hose I.D.	C Cut - Off	H Drop	CH1
350	90MSFL1203PC	12x1,5	3/16"	24,0	32,0	14
	90MSFL1204PC	12x1,5	1/4"	24,0	32,0	14
	90MSFL1404PC	14x1,5	1/4"	24,0	32,0	17
	90MSFL1604PC	16x1,5	1/4"	28,0	34,5	19
	90MSFL1605PC	16x1,5	5/16"	37,0	36,5	19
	90MSFL1606PC	16x1,5	3/8"	35,0	37,5	19
	90MSFL1805PC	18x1,5	5/16"	37,0	36,5	22
	90MSFL1806PC	18x1,5	3/8"	35,5	36,5	22
315	90MSFL2006PC	20x1,5	3/8"	35,5	36,5	24
	90MSFL2208PC	22x1,5	1/2"	37,5	45,0	27
250	90MSFL2608PC	26x1,5	1/2"	39,0	49,0	32
	90MSFL2610PC	26x1,5	5/8"	44,0	48,5	32
210	90MSFL3012PC	30x1,5	3/4"	55,5	59,5	36
165	90MSFL3816PC	38x1,5	1"	70,5	75,0	46

\* Disponibile anche a 45°

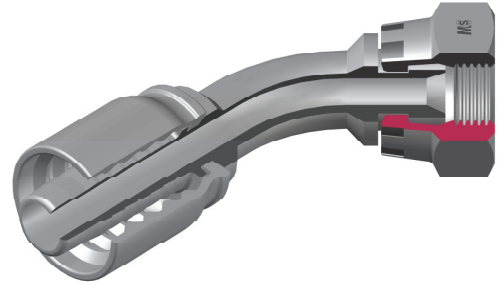
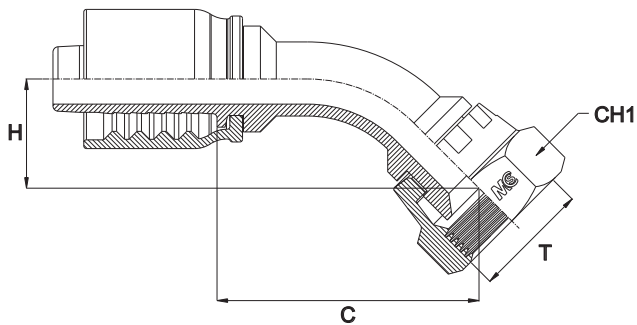
\* Also Available 45°

**FEMMINA GIREVOLE JIC SV. 74°**  
**JIC SWIVEL FEMALE 74° CONE**  
**- DKJ -**



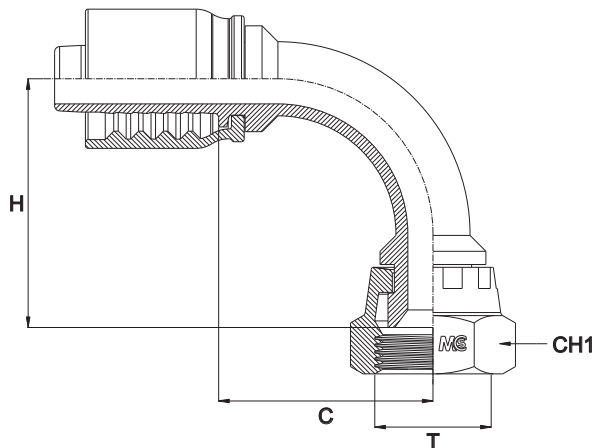
Bar W.P.	Codice Part Number	Filetto Thread	Ø Int. Tubo Inch. Hose I.D.	C Cut - Off	CH1
350	JSF0603PC	3/8"	3/16"	15,5	17
	JSF0703PC	7/16"	3/16"	15,5	17
	JSF0704PC	7/16"	1/4"	15,5	17
	JSF0705PC	7/16"	5/16"	15,5	17
	JSF0706PC	7/16"	3/8"	15,5	17
	JSF0803PC	1/2"	3/16"	15,5	17
	JSF0804PC	1/2"	1/4"	15,5	17
	JSF0805PC	1/2"	5/16"	15,5	17
250	JSF0806PC	1/2"	3/8"	15,5	17
	JSF0904PC	9/16"	1/4"	15,5	19
	JSF0905PC	9/16"	5/16"	15,5	19
	JSF0906PC	9/16"	3/8"	15,5	19
	JSF0908PC	9/16"	1/2"	16,5	19
	JSF1006PC	5/8"	3/8"	15,5	22
	JSF1204PC	3/4"	1/4"	19,0	24
	JSF1205PC	3/4"	5/16"	19,0	24
200	JSF1206PC	3/4"	3/8"	19,0	24
	JSF1208PC	3/4"	1/2"	19,5	24
	JSF1210PC	3/4"	5/8"	20,0	24
	JSF1212PC	3/4"	3/4"	20,5	24
	JSF1406PC	7/8"	3/8"	19,0	27
	JSF1408PC	7/8"	1/2"	19,5	27
	JSF1410PC	7/8"	5/8"	20,0	27
	JSF1412PC	7/8"	3/4"	20,5	27
160	JSF1708PC	1" 1/16	1/2"	23,0	32
	JSF1710PC	1" 1/16	5/8"	23,0	32
	JSF1712PC	1" 1/16	3/4"	23,0	32
	JSF1716PC	1" 1/16	1"	23,5	32
100	JSF2112PC	1" 5/16	3/4"	23,5	38
	JSF2116PC	1" 5/16	1"	24,5	38
100	JSF2120PC	1" 5/16	1" 1/4	25,5	38
125	JSF2616PC	1" 5/8	1"	27,0	50
	JSF2620PC	1" 5/8	1" 1/4	28,0	50
100	JSF3020PC	1" 7/8	1" 1/4	28,0	55
	JSF3024PC	1" 7/8	1" 1/2	28,0	55

**FEMMINA GIREVOLE 45° JIC SV. 74°**  
**45° JIC SWIVEL FEMALE 74° CONE**  
**- DKJ 45°-**



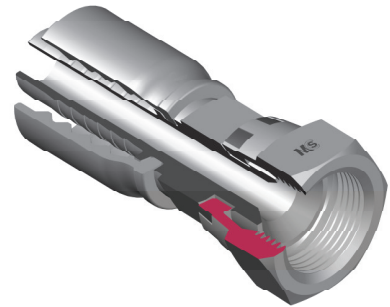
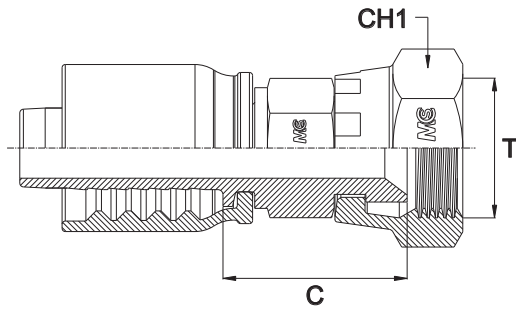
Bar W.P.	Codice Part Number	Filetto Thread	Ø Int. Tubo Inch. Hose I.D.	C Cut - Off	H Drop	CH1
350	45JSF0603PC	3/8"	3/16"	42,5	14,5	17
	45JSF0703PC	7/16"	3/16"	39,0	14,5	17
	45JSF0704PC	7/16"	1/4"	41,5	18,5	17
	45JSF0705PC	7/16"	5/16"	-	-	17
	45JSF0803PC	1/2"	3/16"	-	-	17
	45JSF0804PC	1/2"	1/4"	42,5	19,5	17
250	45JSF0805PC	1/2"	5/16"	38,3	12,5	17
	45JSF0806PC	1/2"	3/8"	59,0	20,5	17
	45JSF0904PC	9/16"	3/8"	61,5	23,0	19
	45JSF0905PC	9/16"	5/16"	68,5	26,0	19
	45JSF0906PC	9/16"	3/8"	52,5	16,5	19
	45JSF1204PC	3/4"	1/4"	46,0	11,5	24
200	45JSF1206PC	3/4"	3/8"	56,0	16,0	24
	45JSF1208PC	3/4"	1/2"	64,0	20,0	24
	45JSF1210PC	3/4"	5/8"	-	-	24
	45JSF1212PC	3/4"	3/4"	-	-	24
	45JSF1406PC	7/8"	3/8"	58,0	23,5	27
	45JSF1408PC	7/8"	1/2"	70,5	36,0	27
160	45JSF1410PC	7/8"	5/8"	70,0	41,0	27
	45JSF1708PC	1" 1/16	1/2"	-	-	32
	45JSF1710PC	1" 1/16	5/8"	79,0	26,5	32
	45JSF1712PC	1" 1/16	3/4"	98,5	35,0	32
125	45JSF1716PC	1" 1/16	1"	-	-	32
	45JSF2112PC	1" 5/16	3/4"	86,0	26,0	38
100	45JSF2116PC	1" 5/16	1"	109,0	37,0	38
	45JSF2616PC	1" 5/8	1"	-	-	50
100	45JSF2620PC	1" 5/8	1" 1/4	134,0	43,0	50
	45JSF3020PC	1" 7/8	1" 1/4	135,0	46,3	55
	45JSF3024PC	1" 7/8	1" 1/2	172,5	53,5	55

**FEMMINA GIREVOLE 90° JIC SV. 74°**  
**90° JIC SWIVEL FEMALE 74° CONE**  
**- DKJ 90°-**



Bar W.P.	Codice Part Number	Filetto Thread	Ø Int. Tubo Inch. Hose I.D.	C Cut - Off	H Drop	CH1
350	90JSF0603PC	3/8"	3/16"	25,5	28,0	17
	90JSF0703PC	7/16"	3/16"	24,5	26,5	17
	90JSF0704PC	7/16"	1/4"	23,5	30,5	17
	90JSF0705PC	7/16"	5/16"	25,0	28,0	17
	90JSF0706PC	7/16"	3/8"	36,5	34,0	17
	90JSF0803PC	1/2"	3/16"	24,0	24,5	17
	90JSF0804PC	1/2"	1/4"	23,5	30,5	17
250	90JSF0805PC	1/2"	5/16"	24,5	27,0	17
	90JSF0806PC	1/2"	3/8"	36,5	33,0	17
	90JSF0904PC	9/16"	1/4"	22,0	35,0	19
	90JSF0905PC	9/16"	5/16"	38,5	37,5	19
	90JSF0906PC	9/16"	3/8"	35,0	36,0	19
	90JSF1204PC	3/4"	1/4"	24,0	34,0	24
	90JSF1205PC	3/4"	5/16"	-	-	24
200	90JSF1206PC	3/4"	3/8"	40,0	46,5	24
	90JSF1208PC	3/4"	1/2"	36,5	45,0	24
	90JSF1210PC	3/4"	5/8"	-	-	24
	90JSF1212PC	3/4"	3/4"	-	-	24
	90JSF1406PC	7/8"	3/8"	40,0	38,5	27
	90JSF1408PC	7/8"	1/2"	40,0	47,0	27
	90JSF1410PC	7/8"	5/8"	43,1	52,6	27
160	90JSF1708PC	1" 1/16	1/2"	37,0	48,0	32
	90JSF1710PC	1" 1/16	5/8"	43,5	57,0	32
	90JSF1712PC	1" 1/16	3/4"	55,0	68,0	32
	90JSF1716PC	1" 1/16	1"	-	-	32
125	90JSF2112PC	1" 5/16	3/4"	53,5	70,5	38
	90JSF2116PC	1" 5/16	1"	70,5	88,0	38
100	90JSF2616PC	1" 5/8	1"	64,0	81,0	50
	90JSF2620PC	1" 5/8	1" 1/4	83,5	89,5	50
100	90JSF3020PC	1" 7/8	1" 1/4	88,0	89,0	55
	90JSF3024PC	1" 7/8	1" 1/2	113,5	110,5	55

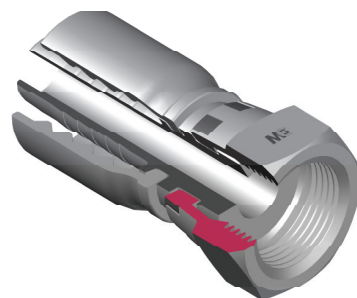
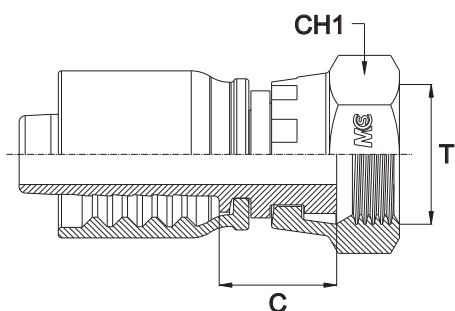
**FEMMINA GIREVOLE JIC SV. 74° DOPPIO ESAGONO**  
**JIC SWIVEL FEMALE 74° CONE DOUBLE HEXAGON**  
**- DKJ -**



Bar W.P.	Codice Part Number	Filetto Thread	Ø Int. Tubo Inch. Hose I.D.	C Cut - Off	CH1	CH2
350	JSFDH0704PC	7/16"	1/4"	25,5	17	14
	JSFDH0804PC	1/2"	1/4"	25,5	17	14
250	JSFDH0805PC	1/2"	5/16"	-	17	14
	JSFDH0904PC	9/16"	1/4"	25,5	19	14
	JSFDH0905PC	9/16"	5/16"	25,5	19	14
	JSFDH0906PC	9/16"	3/8"	25,8	19	17
	JSFDH1206PC	3/4"	3/8"	28,8	24	19
	JSFDH1208PC	3/4"	1/2"	29,5	24	19
200	JSFDH1408PC	7/8"	1/2"	29,5	27	22
	JSFDH1410PC	7/8"	5/8"	31,0	27	22
	JSFDH1710PC	1" 1/16	5/8"	-	32	27
	JSFDH1712PC	1" 1/16	3/4"	34,0	32	27
160	JSFDH2116PC	1" 5/16	1"	35,5	38	32

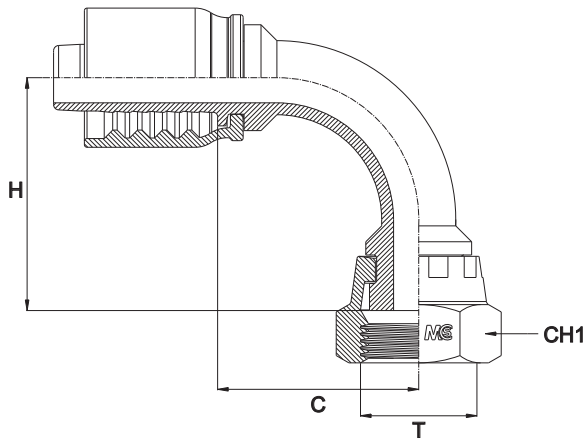


**FEMMINA GIREVOLE GAS SEDE PIANA**  
**BSP SWIVEL FEMALE FLAT SEAT**  
**- DKR FLAT SEAT -**



Bar W.P.	Codice Part Number	Filetto Thread	Ø Int. Tubo Inch. Hose I.D.	C Cut - Off	CH1
450	BSPSFFS0404PC	1/4"	1/4"	15,5	19
	BSPSFFS0405PC	1/4"	5/16"	16,0	19
	BSPSFFS0604PC	3/8"	1/4"	16,0	22
350	BSPSFFS0605PC	3/8"	5/16"	16,0	22
450	BSPSFFS0606PC	3/8"	3/8"	16,0	22
	BSPSFFS0806PC	1/2"	3/8"	18,0	27
415	BSPSFFS0808PC	1/2"	1/2"	18,5	27
350	BSPSFFS0810PC	1/2"	5/8"	20,5	27
415	BSPSFFS1008PC	5/8"	1/2"	18,5	30
350	BSPSFFS1010PC	5/8"	5/8"	20,0	30
415	BSPSFFS1208PC	3/4"	1/2"	21,0	32
350	BSPSFFS1210PC	3/4"	5/8"	24,0	32
	BSPSFFS1212PC	3/4"	3/4"	22,0	32
	BSPSFFS1612PC	1"	3/4"	23,0	38
280	BSPSFFS1616PC	1"	1"	24,0	38
210	BSPSFFS1620PC	1"	1" 1/4	25,0	38
	BSPSFFS2016PC	1" 1/4	1"	24,5	50
	BSPSFFS2020PC	1" 1/4	1" 1/4	25,5	50
185	BSPSFFS2424PC	1" 1/2	1" 1/2	27,0	55

**FEMMINA GIREVOLE 90° GAS SEDE PIANA**  
**90° BSP SWIVEL FEMALE FLAT SEAT**  
**- DKR 90° FLAT SEAT -**

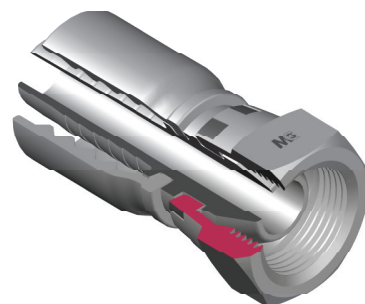
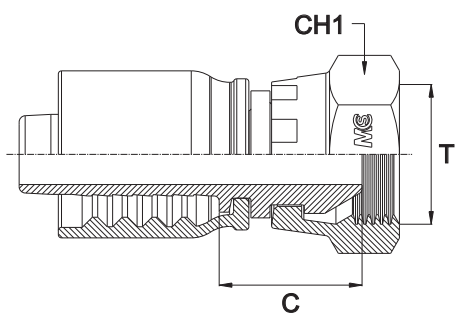


Bar W.P.	Codice Part Number	Filetto Thread	Ø Int. Tubo Inch. Hose I.D.	C Cut - Off	H Drop	CH1
450	90BSPSFFS0404PC	1/4"	1/4"	23,5	26,4	19
350	90BSPSFFS0405PC	1/4"	5/16"	25,5	24,4	19
450	90BSPSFFS0604PC	3/8"	1/4"	-	-	22
350	90BSPSFFS0605PC	3/8"	5/16"	25,5	33,0	22
450	90BSPSFFS0606PC	3/8"	3/8"	34,5	33,0	22
	90BSPSFFS0806PC	1/2"	3/8"	34,5	33,0	27
415	90BSPSFFS0808PC	1/2"	1/2"	37,5	40,5	27
350	90BSPSFFS0810PC	1/2"	5/8"	-	-	27
415	90BSPSFFS1008PC	5/8"	1/2"	-	-	30
350	90BSPSFFS1010PC	5/8"	5/8"	44,5	48,5	30
415	90BSPSFFS1206PC	3/4"	3/8"	35,5	44,0	32
	90BSPSFFS1208PC	3/4"	1/2"	37,5	44,0	32
350	90BSPSFFS1210PC	3/4"	5/8"	44,5	49,0	32
	90BSPSFFS1212PC	3/4"	3/4"	52,5	56,0	32
280	90BSPSFFS1616PC	1"	1"	52,5	71,5	38
210	90BSPSFFS2020PC	1"1/4"	1"1/4"	67,5	83,0	50
185	90BSPSFFS2424PC	1"1/2"	1"1/2"	-	-	55

\* Disponibile anche a 45°

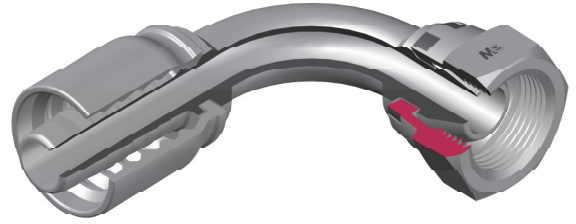
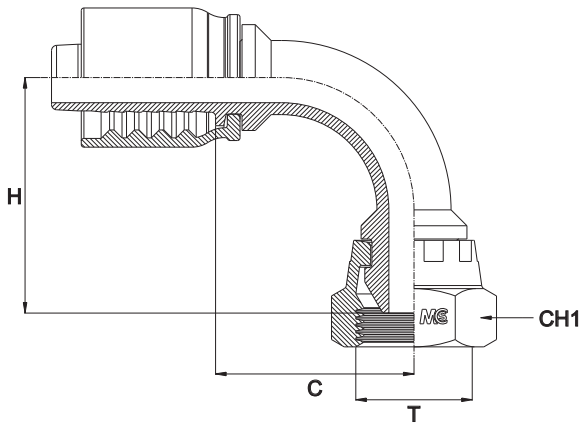
\* Also Available 45°

**FEMMINA GIREVOLE NPSM CONO 60°**  
**NPSM SWIVEL FEMALE 60° CONE**  
**- DKN -**



Codice Part Number	Filetto Thread	Ø Int. Tubo Inch. Hose I.D.	C Cut - Off	CH1
NPSMSF0404PC	1/4"	1/4"	17,0	19
NPSMSF0606PC	3/8"	3/8"	19,0	22
NPSMSF0808PC	1/2"	1/2"	22,5	27
NPSMSF1212PC	3/4"	3/4"	25,0	32
NPSMSF1616PC	1"	1"	27,0	38
NPSMSF2020PC	1"1/4"	1"1/4"	28,0	50

**FEMMINA GIREVOLE 90° NPSM CONO 60°**  
**90° NPSM SWIVEL FEMALE 60° CONE**  
**- DKN 90° -**

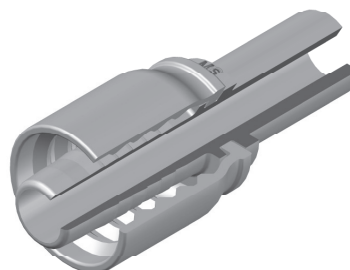
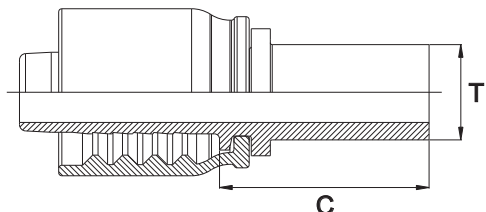


Codice Part Number	Filetto Thread	Ø Int. Tubo Inch. Hose I.D.	C Cut - Off	H Drop	CH1
90NPSMSF0404PC	1/4"	1/4"	23,5	27,5	19
90NPSMSF0606PC	3/8"	3/8"	34,5	36,5	22
90NPSMSF0808PC	1/2"	1/2"	37,5	44,5	27
90NPSMSF1212PC	3/4"	3/4"	52,5	59,0	32
90NPSMSF1616PC	1"	1"	67,5	74,5	38

\* Disponibile anche a 45°

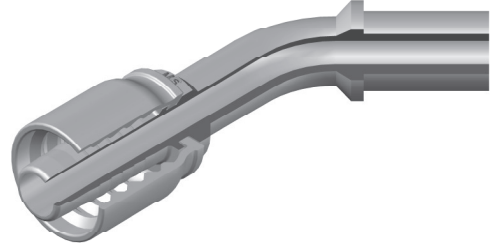
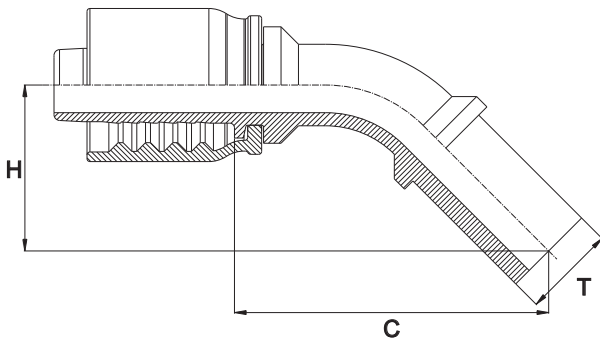
\* Also Available 45°

**FEMMINA METRICA TUBOLARE - SERIE LEGGERA/PESANTE**  
**METRIC STANDPIPE - LIGHT/HEAVY TYPE**  
**- BEL/BES -**



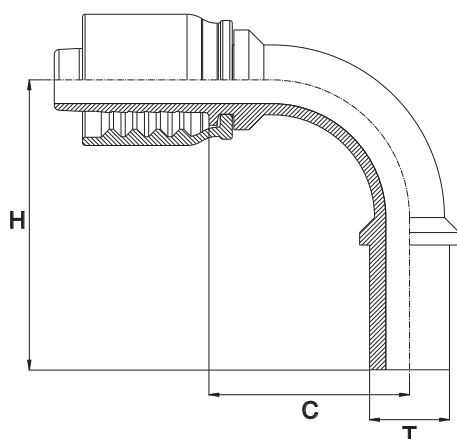
Bar W.P.	Codice Part Number	T Ø Tubo Ø Tube	Ø Int. Tubo Inch. Hose I.D.	C Cut - Off
415	SLH0603PC	06 L/S	3/16"	29,5
320	SLH0604PC	06 L/S	1/4"	29,5
415	SLH0803PC	08 L/S	3/16"	29,5
450	SLH0804PC	08 L/S	1/4"	29,5
320	SLH0805PC	08 L/S	5/16"	29,5
350	SLH0806PC	08 L/S	3/8"	32,0
	SLH1003PC	10 L/S	3/16"	29,5
450	SLH1004PC	10 L/S	1/4"	29,5
350	SLH1005PC	10 L/S	5/16"	29,5
330	SLH1006PC	10 L/S	3/8"	32,0
450	SLH1204PC	12 L/S	1/4"	29,5
350	SLH1205PC	12 L/S	5/16"	32,0
445	SLH1206PC	12 L/S	3/8"	32,0
250	SLH1208PC	12 L/S	1/2"	33,0
445	SH1404PC	14 S	1/4"	32,0
	SH1406PC	14 S	3/8"	32,0
415	SH1408PC	14 S	1/2"	33,0
	SH1608PC	16 S	1/2"	33,0
215	SH1612PC	16 S	3/4"	36,0
350	SH2008PC	20 S	1/2"	33,0
	SH2010PC	20 S	5/8"	35,5
215	SH2012PC	20 S	3/4"	36,0
350	SH2512PC	25 S	3/4"	39,0
165	SH2516PC	25 S	1"	50,0
250	SH3016PC	30 S	1"	50,0
210	SH3020PC	30 S	1" 1/4	57,5
	SH3820PC	38 S	1" 1/4	57,5
250	SL1506PC	15 L	3/8"	32,0
	SL1508PC	15 L	1/2"	33,0
160	SL1808PC	18 L	1/2"	33,0
	SL1810PC	18 L	5/8"	35,5
	SL1812PC	18 L	3/4"	36,0
	SL2210PC	22 L	5/8"	36,0
100	SL2212PC	22 L	3/4"	36,0
	SL2816PC	28 L	1"	40,0
	SL3520PC	35 L	1" 1/4	47,5
	SL4224PC	42 L	1" 1/2	48,0

**FEMMINA METRICA TUBOLARE 45° - SERIE LEGGERA/PESANTE**  
**45° METRIC STANDPIPE - LIGHT/HEAVY TYPE**  
**- BEL/BES 45° -**



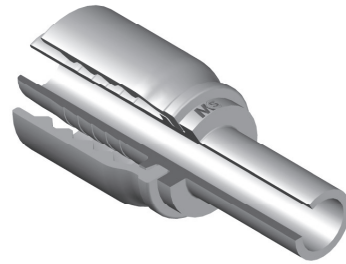
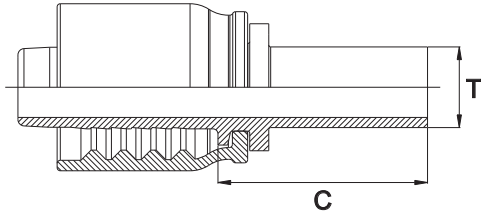
Bar W.P.	Codice Part Number	T Ø Tubo Ø Tube	Ø Int. Tubo Inch. Hose I.D.	C Cut - Off	H Drop
415	45SLH0603PC	06 L/S	3/16"	48,0	27,5
320	45SLH0604PC	06 L/S	1/4"	48,5	23,0
415	45SLH0803PC	08 L/S	3/16"	-	-
450	45SLH0804PC	08 L/S	1/4"	-	-
320	45SLH0805PC	08 L/S	5/16"	-	-
350	45SLH1003PC	10 L/S	3/16"	-	-
450	45SLH1004PC	10 L/S	1/4"	46,0	23,0
350	45SLH1005PC	10 L/S	5/16"	-	-
330	45SLH1006PC	10 L/S	3/8"	63,0	26,0
450	45SLH1204PC	12 L/S	1/4"	48,5	22,0
350	45SLH1205PC	12 L/S	5/16"	-	-
445	45SLH1206PC	12 L/S	3/8"	63,0	26,5
250	45SLH1208PC	12 L/S	1/2"	74,0	26,5
445	45SH1406PC	14 S	3/8"	-	-
415	45SH1608PC	16 S	1/2"	74,5	26,5
350	45SH2010PC	20 S	5/8"	73,5	33,5
215	45SH2012PC	20 S	3/4"	-	-
350	45SH2512PC	25 S	3/4"	-	-
165	45SH2516PC	25 S	1"	118,2	48,5
250	45SH3016PC	30 S	1"	-	-
210	45SH3820PC	38 S	1"1/4	-	-
250	45SL1508PC	15 L	1/2"	72,0	31,5
160	45SL1808PC	18 L	1/2"	-	-
	45SL1810PC	18 L	5/8"	-	-
	45SL2212PC	22 L	3/4"	-	-
100	45SL2816PC	28 L	1"	-	-
	45SL3520PC	35 L	1"1/4	-	-
	45SL4224PC	42 L	1"1/2	176,5	55,5

**FEMMINA METRICA TUBOLARE 90° - SERIE LEGGERA/PESANTE**  
**90° METRIC STANDPIPE - LIGHT/HEAVY TYPE**  
**- BEL/BES 90° -**



Bar W.P.	Codice Part Number	T Ø Tubo Ø Tube	Ø Int. Tubo Inch. Hose I.D.	C Cut - Off	H Drop
415	90SLH0603PC	06 L/S	3/16"	23,0	39,0
320	90SLH0604PC	06 L/S	1/4"	25,0	40,5
415	90SLH0803PC	08 L/S	3/16"	25,7	40,0
450	90SLH0804PC	08 L/S	1/4"	25,0	40,5
320	90SLH0805PC	08 L/S	5/16"	22,5	40,5
350	90SLH1003PC	10 L/S	3/16"	23,0	39,0
450	90SLH1004PC	10 L/S	1/4"	24,0	39,0
350	90SLH1005PC	10 L/S	5/16"	23,5	40,5
330	90SLH1006PC	10 L/S	3/8"	34,5	47,5
450	90SLH1204PC	12 L/S	1/4"	23,0	39,5
350	90SLH1205PC	12 L/S	5/16"	25,5	39,5
445	90SLH1206PC	12 L/S	3/8"	34,5	46,5
250	90SLH1208PC	12 L/S	1/2"	37,5	58,0
445	90SH1406PC	14 S	3/8"	34,5	46,5
415	90SH1608PC	16 S	1/2"	40,0	56,5
350	90SH2010PC	20 S	5/8"	38,0	60,0
215	90SH2012PC	20 S	3/4"	53,0	74,5
350	90SH2512PC	25 S	3/4"	55,5	70,5
165	90SH2516PC	25 S	1"	64,5	87,0
250	90SH3016PC	30 S	1"	66,0	92,0
210	90SH3820PC	38 S	1" 1/4	-	-
250	90SL1508PC	15 L	1/2"	40,2	58,1
160	90SL1808PC	18 L	1/2"	39,5	56,5
	90SL1810PC	18 L	5/8"	43,5	60,5
	90SL2212PC	22 L	3/4"	53,5	71,0
100	90SL2816PC	28 L	1"	90,0	90,5
	90SL3520PC	35 L	1" 1/4	89,0	111,5
	90SL4224PC	42 L	1" 1/2	106,5	122,5

## FEMMINA TUBOLARE (PER TUBO IN POLLICI) IMPERIAL STANDPIPE



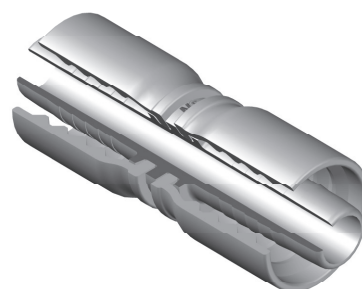
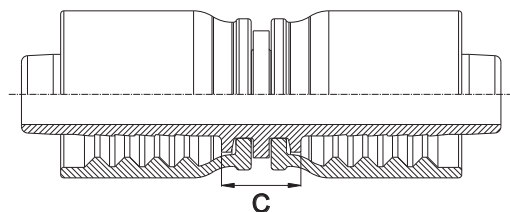
Bar W.P.	Codice Part Number	T Ø Tubo Ø Tube	Ø Int. Tubo Inch. Hose I.D.	C Cut - Off
450	IS0404PC	1/4" - 6,35 mm	1/4"	29,5
	IS0505PC	5/16" - 7,94 mm	5/16"	29,5
350	IS0604PC	3/8" - 9,52 mm	1/4"	32,0
	IS0605PC	3/8" - 9,52 mm	5/16"	32,0
420	IS0606PC	3/8" - 9,52 mm	3/8"	32,0
	IS0806PC	1/2" - 12,70 mm	3/8"	32,0
250	IS0808PC	1/2" - 12,70 mm	1/2"	33,0
160	IS1008PC	5/8" - 15,88 mm	1/2"	33,0
160	IS1010PC	5/8" - 15,88 mm	5/8"	33,0
215	IS1208PC	3/4" - 19,05 mm	1/2"	33,0
	IS1212PC	3/4" - 19,05 mm	3/4"	36,0
350	IS1612PC	1" - 25,40 mm	3/4"	39,0
165	IS1616PC	1" - 25,40 mm	1"	40,0
210	IS2020PC	1"1/4 - 31,75 mm	1"1/4	47,5
170	IS2424PC	1"1/2 - 38,10 mm	1"1/2	48,0

\* Disponibile anche a 45° e 90°

\* Also Available 45° & 90°



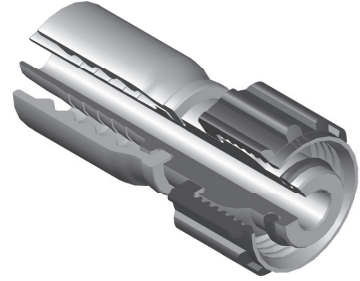
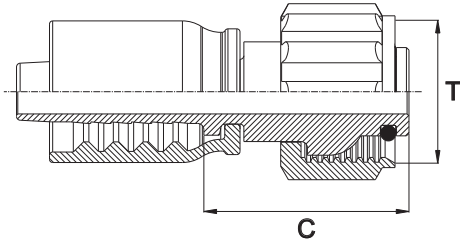
## FEMMINA TUBOLARE DOPPIA ESTREMITÀ DOUBLE HOSE STANDPIPE



Bar W.P.	Codice Part Number	Ø Int. Tubo Inch. Hose I.D.	C Cut - Off
450	DHS04PC	1/4"	12,5
350	DHS05PC	5/16"	12,5
445	DHS06PC	3/8"	12,5
415	DHS08PC	1/2"	12,5
350	DHS10PC	5/8"	17,0
	DHS12PC	3/4"	14,5
280	DHS16PC	1"	17,0
210	DHS20PC	1" 1/4	19,0
185	DHS24PC	1" 1/2	20,0

\* Disponibile anche a 45° e 90°

\* Also Available 45° & 90°

**FEMMINA PER IDROPULITRICI****K' FEMALE****- DADO IN ACCIAIO INOX - STAINLESS STEEL NUT -****- DKO-KA -**

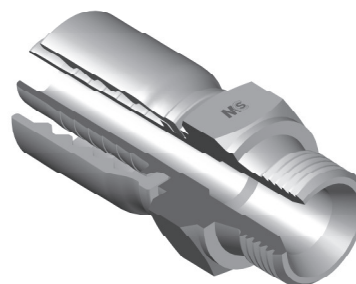
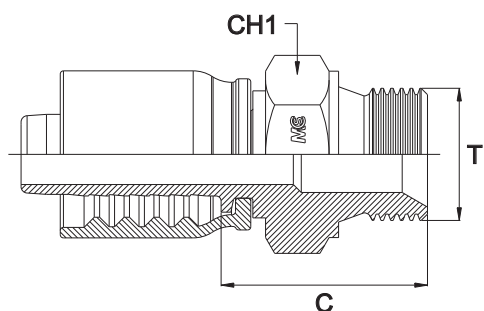
Bar W.P.	Codice Part Number	Filetto Thread	Ø Int. Tubo Inch. Hose I.D.	C Cut - Off
450	KF2204PC	22x1,5	1/4"	34,5
350	KF2205PC	22x1,5	5/16"	35,5
315	KF2206PC	22x1,5	3/8"	35,5
315	KF2208PC	22x1,5	1/2"	35,5

**MASCHIO SVASATO A 60°**

Filetto Gas Cilindrico

**MALE 60° CONE**

Thread BSP Parallel

**- AGR -**

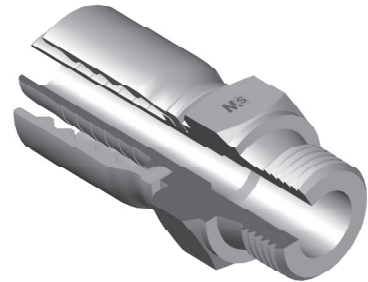
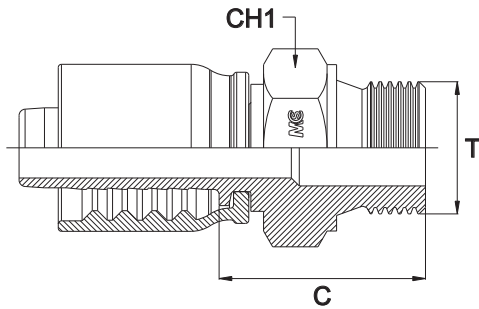
Bar W.P.	Codice Part Number	Filetto Thread	Ø Int. Tubo Inch. Hose I.D.	C Cut - Off	CH1
415	BSPM0202PC	1/8"	1/8"	24,0	14
	BSPM0203PC	1/8"	3/16"	24,5	14
	BSPM0204PC	1/8"	1/4"	23,5	14
	BSPM0205PC	1/8"	5/16"	-	17
	BSPM0206PC	1/8"	3/8"	-	17
	BSPM0403PC	1/4"	3/16"	27,0	19
450	BSPM0404PC	1/4"	1/4"	27,0	19
350	BSPM0405PC	1/4"	5/16"	27,0	19
450	BSPM0406PC	1/4"	3/8"	27,0	19
415	BSPM0408PC	1/4"	1/2"	-	22
450	BSPM0604PC	3/8"	1/4"	29,0	22
350	BSPM0605PC	3/8"	5/16"	29,0	22
450	BSPM0606PC	3/8"	3/8"	29,0	22
415	BSPM0608PC	3/8"	1/2"	29,5	22
450	BSPM0804PC	1/2"	1/4"	32,0	27
350	BSPM0805PC	1/2"	5/16"	32,0	27
450	BSPM0806PC	1/2"	3/8"	32,0	27
415	BSPM0808PC	1/2"	1/2"	32,5	27
350	BSPM0810PC	1/2"	5/8"	34,0	27
	BSPM0812PC	1/2"	3/4"	33,0	27
415	BSPM1008PC	5/8"	1/2"	33,5	30
350	BSPM1010PC	5/8"	5/8"	35,0	30
415	BSPM1208PC	3/4"	1/2"	35,5	32
350	BSPM1210PC	3/4"	5/8"	37,0	32
	BSPM1212PC	3/4"	3/4"	36,5	32
280	BSPM1216PC	3/4"	1"	37,5	32
350	BSPM1612PC	1"	3/4"	40,5	38
280	BSPM1616PC	1"	1"	41,5	38
	BSPM2016PC	1" 1/4	1"	45,5	50
210	BSPM2020PC	1" 1/4	1" 1/4	46,0	50
185	BSPM2024PC	1" 1/4	1" 1/2	46,5	50
210	BSPM2420PC	1" 1/2	1" 1/4	46,0	55
185	BSPM2424PC	1" 1/2	1" 1/2	46,5	55

**MASCHIO SEDE PIANA**

Filetto Gas Cilindrico

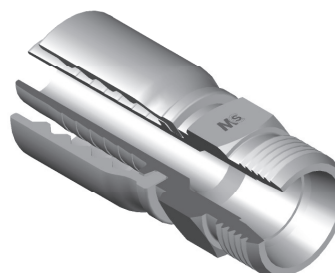
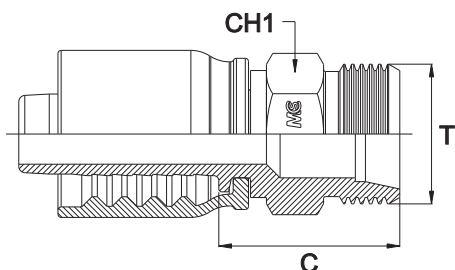
**MALE FLAT SEAT**

Thread BSP Parallel

**- AGR- F -**

Bar W.P.	Codice Part Number	Filetto Thread	Ø Int. Tubo Inch. Hose I.D.	C Cut - Off	CH1
450	BSPMFS0404PC	1/4"	1/4"	27,0	19,0
350	BSPMFS0605PC	3/8"	5/16"	29,0	22,0
450	BSPMFS0606PC	3/8"	3/8"	29,0	22,0
	BSPMFS0806PC	1/2"	3/8"	32,0	27,0
415	BSPMFS0808PC	1/2"	1/2"	32,5	27,0
	BSPMFS1008PC	5/8"	1/2"	33,0	30,0
350	BSPMFS1010PC	5/8"	5/8"	35,0	30,0
415	BSPMFS1208PC	3/4"	1/2"	35,5	32,0
	BSPMFS1210PC	3/4"	5/8"	37,0	32,0
	BSPMFS1212PC	3/4"	3/4"	36,5	32,0
350	BSPMFS1612PC	1"	3/4"	40,5	38,0
	BSPMFS1616PC	1"	1"	41,5	38,0
210	BSPMFS2016PC	1" 1/4	1"	45,5	50,0
	BSPMFS2020PC	1" 1/4	1" 1/4	46,0	50,0
184	BSPMFS2420PC	1" 1/2	1" 1/4	46,0	55,0
	BSPMFS2424PC	1" 1/2	1" 1/2	46,5	55,0

**MASCHIO METRICO SV. 24° - SERIE LEGGERA**  
**METRIC MALE 24° CONE - LIGHT TYPE**  
**- CEL -**

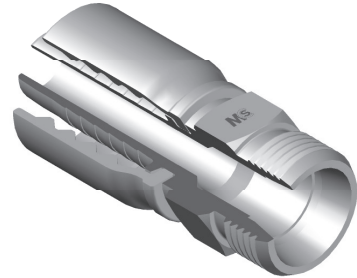
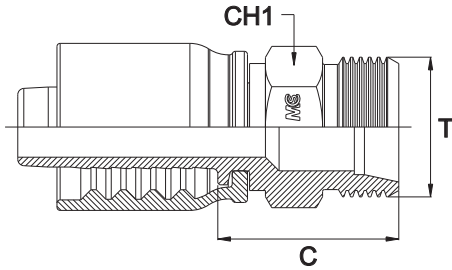


Bar W.P.	Codice Part Number	Filetto Thread	Ø Int. Tubo Inch. Hose I.D.	DIN 24°	C Cut - Off	CH1
280	MML0603PC	12x1,5	3/16"	06L	25,0	14
	MML0604PC	12x1,5	1/4"	06L	25,0	14
	MML0803PC	14x1,5	3/16"	08L	25,0	14
	MML0804PC	14x1,5	1/4"	08L	25,0	14
	MML1004PC	16x1,5	1/4"	10L	27,0	17
	MML1005PC	16x1,5	5/16"	10L	27,0	17
	MML1006PC	16x1,5	3/8"	10L	27,0	17
	MML1204PC	18x1,5	1/4"	12L	27,0	19
	MML1205PC	18x1,5	5/16"	12L	27,0	19
	MML1206PC	18x1,5	3/8"	12L	27,0	19
	MML1208PC	18x1,5	1/2"	12L	27,0	19
210	MML1506PC	22x1,5	3/8"	15L	28,5	22
	MML1508PC	22x1,5	1/2"	15L	28,5	22
	MML1808PC	26x1,5	1/2"	18L	31,0	27
	MML1810PC	26x1,5	5/8"	18L	31,0	27
	MML1812PC	26x1,5	3/4"	18L	30,5	27
165	MML2210PC	30x2	5/8"	22L	32,5	30
	MML2212PC	30x2	3/4"	22L	32,5	30
100	MML2816PC	36x2	1"	28L	35,5	36
125	MML3520PC	45x2	1,1/4"	35L	39,0	46
100	MML4224PC	52x2	1,1/2"	42L	40,5	55

# MASCHIO METRICO SV. 24° - SERIE PESANTE

## METRIC MALE 24° CONE - HEAVY TYPE

- CES -



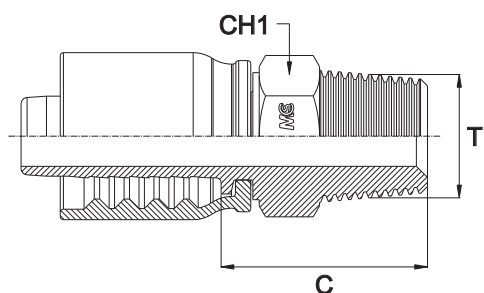
Bar W.P.	Codice Part Number	Filetto Thread	Ø Int. Tubo Inch. Hose I.D.	DIN 24°	C Cut - Off	CH1
450	MMH0604PC	14x1,5	1/4"	06S	27,5	14
	MMH0804PC	16x1,5	1/4"	08S	28,0	17
	MMH1004PC	18x1,5	1/4"	10S	27,0	19
350	MMH1005PC	18x1,5	5/16"	10S	27,0	19
450	MMH1006PC	18x1,5	3/8"	10S	27,0	19
	MMH1204PC	20x1,5	1/4"	12S	28,0	22
350	MMH1205PC	20x1,5	5/16"	12S	28,0	22
450	MMH1206PC	20x1,5	3/8"	12S	28,0	22
350	MMH1405PC	22x1,5	5/16"	14S	29,5	22
450	MMH1406PC	22x1,5	3/8"	14S	29,5	24
420	MMH1606PC	24x1,5	3/8"	16S	31,0	24
	MMH1608PC	24x1,5	1/2"	16S	31,0	24
350	MMH1610PC	24x1,5	5/8"	16S	32,5	24
280	MMH1616PC	24x1,5	1"	16S	32,0	36
350	MMH2008PC	30x2	1/2"	20S	33,5	30
	MMH2010PC	30x2	5/8"	20S	35,0	30
	MMH2012PC	30x2	3/4"	20S	35,0	30
	MMH2512PC	36x2	3/4"	25S	37,5	36
280	MMH2516PC	36x2	1"	25S	38,5	36
350	MMH3008PC	42x2	1/2"	30S	41,5	46
280	MMH3016PC	42x2	1"	30S	42,5	46
210	MMH3020PC	42x2	1" 1/4	30S	43,5	46
280	MMH3816PC	52x2	1"	38S	45,0	55
210	MMH3820PC	52x2	1" 1/4	38S	46,0	55

**MASCHIO SVASATO 60°**

Filetto Gas Conico

**MALE 60° CONE**

Thread BSP Taper

**- AGR-K -**

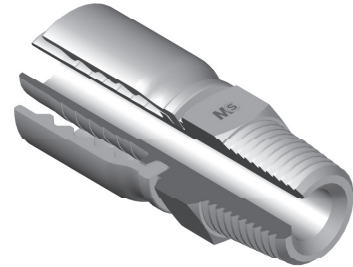
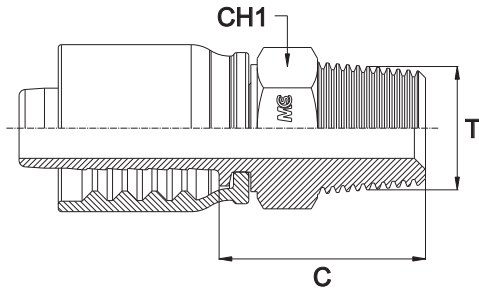
Bar W.P.	Codice Part Number	Filetto Thread	Ø Int. Tubo Inch. Hose I.D.	C Cut - Off	CH1
415	BSPTM0203PC	1/8"	3/16"	22,5	14
450	BSPTM0204PC	1/8"	1/4"	22,5	14
415	BSPTM0403PC	1/4"	3/16"	26,7	14
450	BSPTM0404PC	1/4"	1/4"	27,0	14
350	BSPTM0405PC	1/4"	5/16"	27,5	14
450	BSPTM0406PC	1/4"	3/8"	27,3	17
	BSPTM0604PC	3/8"	1/4"	28,6	19
350	BSPTM0605PC	3/8"	5/16"	29,0	19
450	BSPTM0606PC	3/8"	3/8"	29,5	19
415	BSPTM0608PC	3/8"	1/2"	29,0	19
350	BSPTM0610PC	3/8"	5/8"	29,5	22
	BSPTM0804PC	1/2"	1/4"	32,0	22
415	BSPTM0806PC	1/2"	3/8"	33,0	22
	BSPTM0808PC	1/2"	1/2"	32,5	22
	BSPTM0810PC	1/2"	5/8"	28,5	22
	BSPTM0812PC	1/2"	3/4"	36,5	27
350	BSPTM1208PC	3/4"	1/2"	35,0	27
	BSPTM1210PC	3/4"	5/8"	36,3	27
	BSPTM1212PC	3/4"	3/4"	36,5	27
	BSPTM1216PC	3/4"	1"	37,5	32
280	BSPTM1612PC	1"	3/4"	43,5	36
	BSPTM1616PC	1"	1"	44,5	36
	BSPTM1620PC	1"	1"1/4	47,0	41
210	BSPTM2016PC	1"1/4	1"	47,0	46
	BSPTM2020PC	1"1/4	1"1/4	48,0	46
185	BSPTM2424PC	1"1/2	1"1/2	46,0	50

**MASCHIO SVASATO 60°**

Filetto NPT

**MALE 60° CONE**

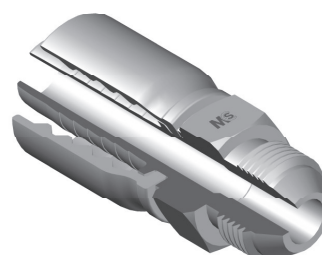
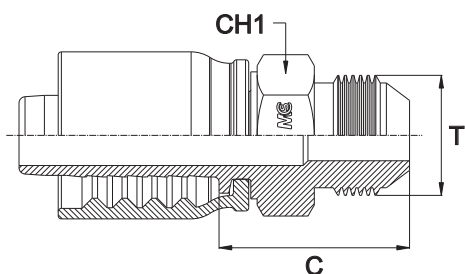
Thread NPT

**- AGN -**

Bar W.P.	Codice Part Number	Filetto Thread	Ø Int. Tubo Inch. Hose I.D.	C Cut - Off	CH1
415	NPTM0203PC	1/8"	3/16"	24,5	14
450	NPTM0204PC	1/8"	1/4"	24,5	14
415	NPTM0403PC	1/4"	3/16"	29,1	14
450	NPTM0404PC	1/4"	1/4"	27,5	14
350	NPTM0405PC	1/4"	5/16"	28,5	14
450	NPTM0406PC	1/4"	3/8"	29,3	17
350	NPTM0604PC	3/8"	1/4"	29,0	19
350	NPTM0605PC	3/8"	5/16"	29,3	19
450	NPTM0606PC	3/8"	3/8"	29,3	19
415	NPTM0608PC	3/8"	1/2"	29,0	19
350	NPTM0610PC	3/8"	5/8"	34,3	22
415	NPTM0804PC	1/2"	1/4"	34,6	22
	NPTM0806PC	1/2"	3/8"	35,1	22
	NPTM0808PC	1/2"	1/2"	34,5	22
350	NPTM0810PC	1/2"	5/8"	39,4	22
	NPTM0812PC	1/2"	3/4"	38,1	27
	NPTM1208PC	3/4"	1/2"	35,0	27
	NPTM1210PC	3/4"	5/8"	36,0	27
280	NPTM1212PC	3/4"	3/4"	36,5	27
	NPTM1216PC	3/4"	1"	37,5	32
	NPTM1612PC	1"	3/4"	43,5	36
210	NPTM1616PC	1"	1"	44,5	36
	NPTM1620PC	1"	1"1/4"	47,0	41
	NPTM2016PC	1"1/4"	1"	47,0	46
185	NPTM2020PC	1"1/4"	1"1/4"	48,0	46
185	NPTM2424PC	1"1/2"	1"1/2"	49,0	50

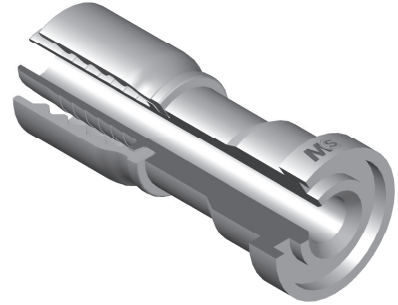
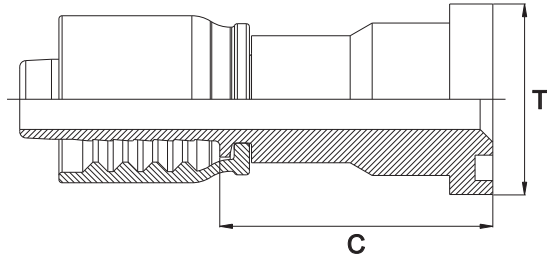


**MASCHIO JIC CONO 74°**  
**JIC MALE 74° CONE**  
**- AGJ -**



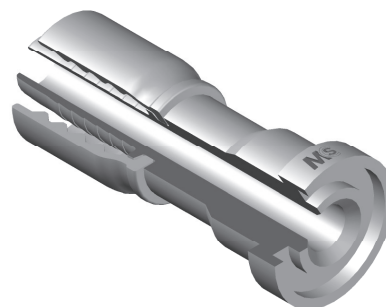
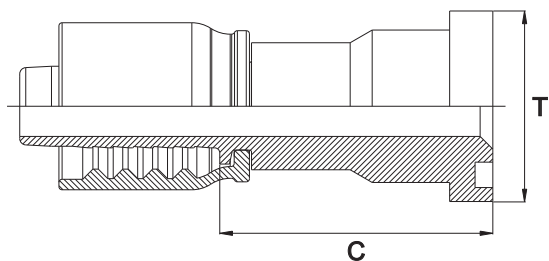
Bar W.P.	Codice Part Number	Filetto Thread	Ø Int. Tubo Inch. Hose I.D.	C Cut - Off	CH1
415	JM0703PC	7/16"	3/16"	28,1	14
	JM0704PC	7/16"	1/4"	27,5	14
450	JM0804PC	1/2"	1/4"	28,5	14
	JM0904PC	9/16"	1/4"	28,0	17
350	JM0905PC	9/16"	5/16"	27,9	17
450	JM0906PC	9/16"	3/8"	28,3	17
415	JM1206PC	3/4"	3/8"	30,5	22
	JM1208PC	3/4"	1/2"	30,0	22
350	JM1406PC	7/8"	3/8"	35,3	24
	JM1408PC	7/8"	1/2"	36,0	24
	JM1410PC	7/8"	5/8"	37,7	24
	JM1412PC	7/8"	3/4"	36,5	27
	JM1708PC	1" 1/16	1/2"	38,0	27
	JM1710PC	1" 1/16	5/8"	39,0	27
	JM1712PC	1" 1/16	3/4"	39,5	27
280	JM1716PC	1" 1/16	1"	42,5	32
	JM2112PC	1" 5/16	3/4"	41,0	36
	JM2116PC	1" 5/16	1"	43,8	36
	JM2616PC	1" 5/8	1"	45,5	46
210	JM2620PC	1" 5/8	1" 1/4	46,5	46
	JM3016PC	1" 7/8	1"	50,0	50
140	JM3020PC	1" 7/8	1" 1/4	51,0	50
	JM3024PC	1" 7/8	1" 1/2	51,5	50

**FLANGIA SAE SERIE 3000 PSI**  
**SAE STRAIGHT FLANGE 3000 PSI**  
**- SFL -**



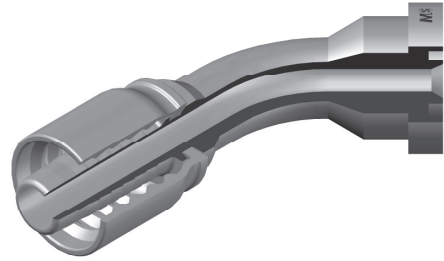
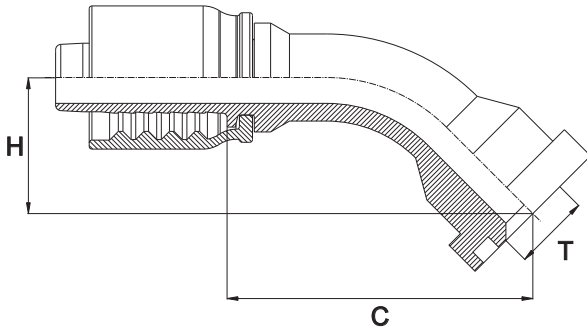
Bar W.P.	Codice Part Number	Flangia Flange	Ø Int. Tubo Inch. Hose I.D.	T	C Cut - Off
350	SSF30000808PC	1/2"	1/2"	30,2	43,0
	SSF30001208PC	3/4"	1/2"	38,1	47,0
	SSF30001210PC	3/4"	5/8"	38,1	48,5
	SSF30001212PC	3/4"	3/4"	38,1	47,5
	SSF30001610PC	1"	5/8"	44,5	54,5
	SSF30001612PC	1"	3/4"	44,5	53,5
280	SSF30001616PC	1"	1"	44,5	54,5
	SSF30002016PC	1"1/4	1"	50,8	56,5
210	SSF30002020PC	1"1/4	1"1/4	50,8	57,5
280	SSF30002416PC	1"1/2	1"	60,3	56,5
210	SSF30002420PC	1"1/2	1"1/4	60,3	62,5
185	SSF30002424PC	1"1/2	1"1/2	60,3	63,0

**FLANGIA SAE SERIE 6000 PSI**  
**SAE STRAIGHT FLANGE 6000 PSI**  
**- SFS -**



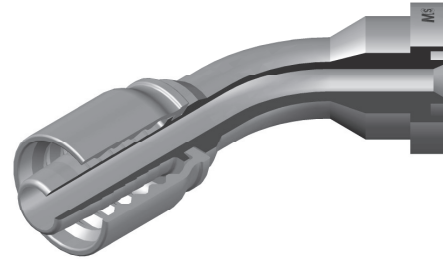
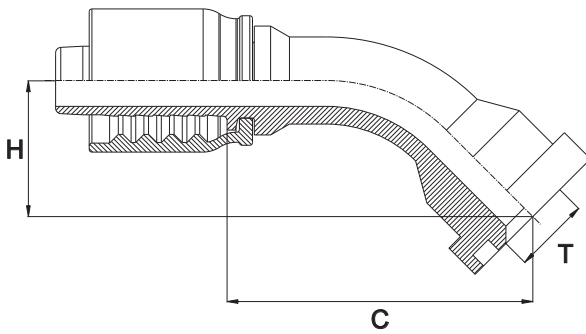
Bar W.P.	Codice Part Number	Flangia Flange	Ø Int. Tubo Inch. Hose I.D.	T	C Cut - Off
415	SSF60000808PC	1/2"	1/2"	31,7	43,0
	SSF60001208PC	3/4"	1/2"	41,3	53,0
350	SSF60001210PC	3/4"	5/8"	41,3	54,5
	SSF60001212PC	3/4"	3/4"	41,3	53,5
	SSF60001610PC	1"	5/8"	47,6	59,5
	SSF60001612PC	1"	3/4"	47,6	58,5
280	SSF60001616PC	1"	1"	47,6	59,5
	SSF60002016PC	1,1/4"	1"	54,0	66,5
210	SSF60002020PC	1,1/4"	1,1/4"	54,0	67,5
280	SSF60002416PC	1"1/2	1"	-	72,5
210	SSF60002420PC	1"1/2	1"1/4	63,5	72,5
185	SSF60002424PC	1"1/2	1"1/2	63,5	73,0

**FLANGIA 45° SAE SERIE 3000 PSI**  
**45° SAE FLANGE 3000 PSI**  
**- SFL 45° -**



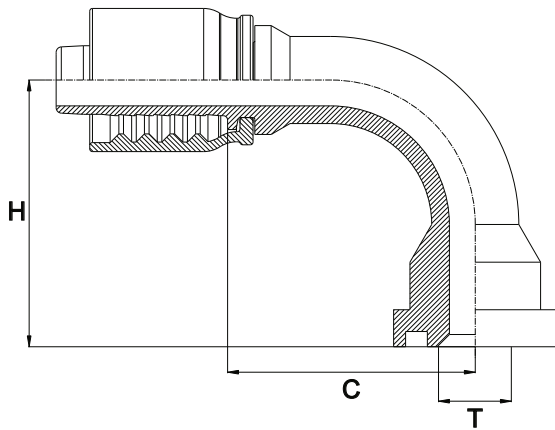
Bar W.P.	Codice Part Number	Flangia Flange	Ø Int. Tubo Inch. Hose I.D.	T	C Cut - Off	H Drop
350	45SF30000808PC	1/2"	1/2"	30,2	63,5	23,0
	45SF30001208PC	3/4"	1/2"	38,1	65,7	24,0
	45SF30001210PC	3/4"	5/8"	38,1	69,0	37,0
	45SF30001212PC	3/4"	3/4"	38,1	81,0	31,0
	45SF30001612PC	1"	3/4"	44,5	81,5	31,5
280	45SF30001616PC	1"	1"	44,5	102,5	32,0
	45SF30002016PC	1"1/4	1"	50,8	-	-
210	45SF30002020PC	1"1/4	1"1/4	50,8	132,5	39,0
	45SF30002420PC	1"1/2	1"1/4	60,3	-	-
185	45SF30002424PC	1"1/2	1"1/2	60,3	171,0	46,0

**FLANGIA 45° SAE SERIE 6000 PSI**  
**45° SAE FLANGE 6000 PSI**  
**- SFS 45° -**



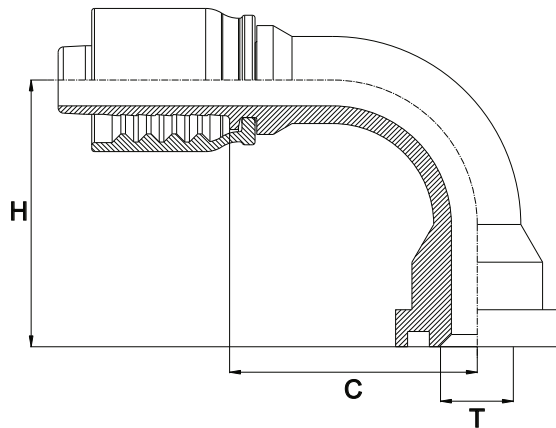
Bar W.P.	Codice Part Number	Flangia Flange	Ø Int. Tubo Inch. Hose I.D.	T	C Cut - Off	H Drop
415	45SF60000808PC	1/2"	1/2"	31,7	67,0	25,0
	45SF60001208PC	3/4"	1/2"	41,3	-	-
350	45SF60001212PC	3/4"	3/4"	41,3	83,5	31,0
	45SF60001612PC	1"	3/4"	47,6	-	-
280	45SF60001616PC	1"	1"	47,6	-	-
	45SF60002016PC	1"1/4	1"	54,0	-	-
210	45SF60002020PC	1"1/4	1"1/4	54,0	128,5	36,0
	45SF60002420PC	1"1/2	1"1/4	63,5	-	-
185	45SF60002424PC	1"1/2	1"1/2	63,5	-	-

**FLANGIA 90° SAE SERIE 3000 PSI**  
**90° SAE FLANGE 3000 PSI**  
**- SFL 90° -**



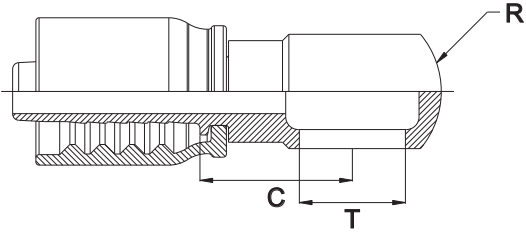
Bar W.P.	Codice Part Number	Flangia Flange	Ø Int. Tubo Inch. Hose I.D.	T	C Cut - Off	H Drop
350	90SF30000808PC	1/2"	1/2"	30,2	41,0	50,5
	90SF30001208PC	3/4"	1/2"	38,1	-	-
	90SF30001210PC	3/4"	5/8"	38,1	58,0	52,0
	90SF30001212PC	3/4"	3/4"	38,1	51,0	61,5
	90SF30001612PC	1"	3/4"	44,5	50,0	65,0
280	90SF30001616PC	1"	1"	44,5	65,0	70,5
	90SF30002016PC	1" 1/4	1"	50,8	69,8	86,2
210	90SF30002020PC	1" 1/4	1" 1/4	50,8	83,0	95,0
	90SF30002420PC	1" 1/2	1" 1/4	60,3	84,2	99,0
185	90SF30002424PC	1" 1/2	1" 1/2	60,3	113,0	110,0

**FLANGIA 90° SAE SERIE 6000 PSI**  
**90° SAE FLANGE 6000 PSI**  
**- SFS 90° -**



Bar W.P.	Codice Part Number	Flangia Flange	Ø Int. Tubo Inch. Hose I.D.	T	C Cut - Off	H Drop
415	90SF60000808PC	1/2"	1/2"	31,7	38,5	50,0
	90SF60001208PC	3/4"	1/2"	41,3	39,0	47,5
350	90SF60001212PC	3/4"	3/4"	41,3	49,0	63,0
	90SF60001612PC	1"	3/4"	47,6	51,5	59,5
280	90SF60001616PC	1"	1"	47,6	62,0	76,0
	90SF60002016PC	1" 1/4	1"	54,0	71,5	86,0
210	90SF60002020PC	1" 1/4	1" 1/4	54,0	82,0	95,0
	90SF60002420PC	1" 1/2	1" 1/4	63,5	-	-
185	90SF60002424PC	1" 1/2	1" 1/2	63,5	111,0	118,0

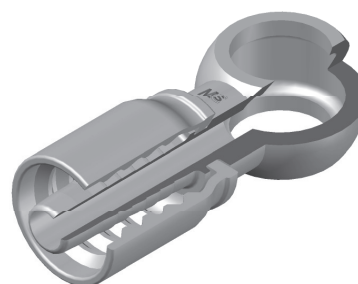
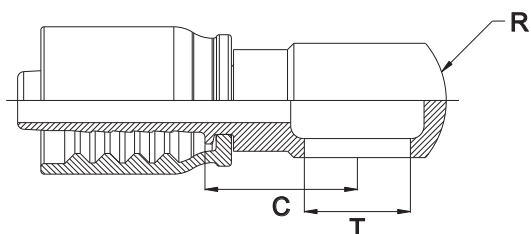
**OCCHIO GAS**  
**BSP BANJO**  
**- RNR -**



Bar W.P.	Codice Part Number	Filetto Thread	Ø Int. Tubo Inch. Hose I.D.	R	C Cut - Off
300	BSPBJ0404PC	1/4"	1/4"	24,0	24,0
	BSPBJ0604PC	3/8"	1/4"	28,0	24,0
	BSPBJ0605PC	3/8"	5/16"	28,0	24,5
280	BSPBJ0606PC	3/8"	3/8"	28,0	24,0
	BSPBJ0806PC	1/2"	3/8"	38,0	27,5
200	BSPBJ0808PC	1/2"	1/2"	38,0	28,0
	BSPBJ1212PC	3/4"	3/4"	45,0	38,5
120	BSPBJ1616PC	1"	1"	58,0	51,5

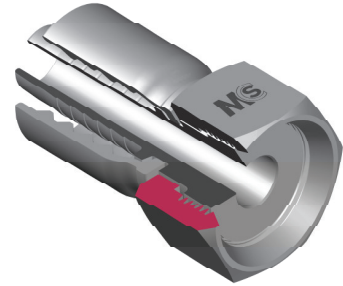
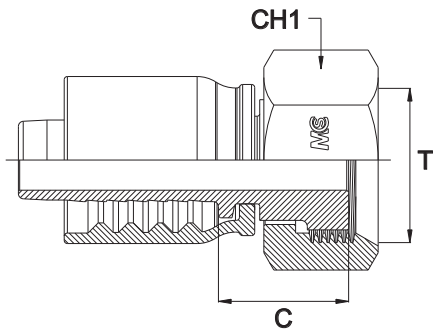


**OCCHIO METRICO**  
**METRIC BANJO**  
**- RNM -**



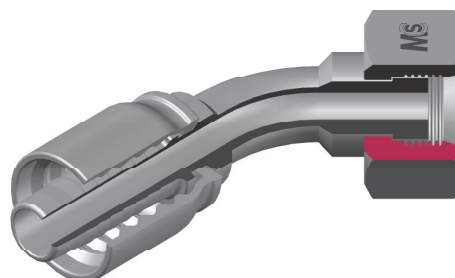
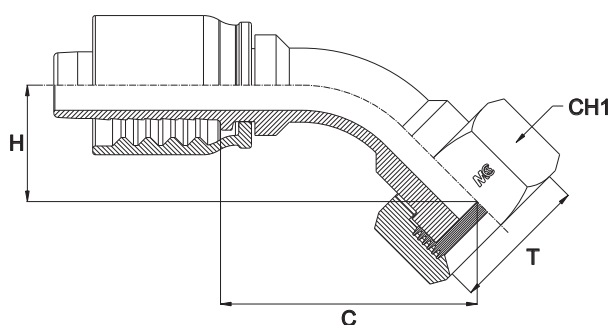
Bar W.P.	Codice Part Number	Filetto Thread	Ø Int. Tubo Inch. Hose I.D.	R	C Cut - Off
300	MBJ1204PC	12x1,5	1/4"	20,0	24,0
	MBJ1404PC	14x1,5	1/4"	24,0	24,0
	MBJ1405PC	14x1,5	5/16"	24,0	24,0
280	MBJ1406PC	14x1,5	3/8"	24,0	24,0
300	MBJ1605PC	16x1,5	5/16"	28,0	24,5
280	MBJ1606PC	16x1,5	3/8"	28,0	24,0
	MBJ1806PC	18x1,5	3/8"	32,0	24,0
250	MBJ1808PC	18x1,5	1/2"	32,0	28,0
200	MBJ2208PC	22x1,5	1/2"	36,0	28,0
	MBJ2612PC	26x1,5	3/4"	45,0	38,5
120	MBJ3012PC	30x1,5	3/4"	54,0	38,5

**FEMMINA ORFS**  
**ORFS FEMALE**  
**- ORFS -**



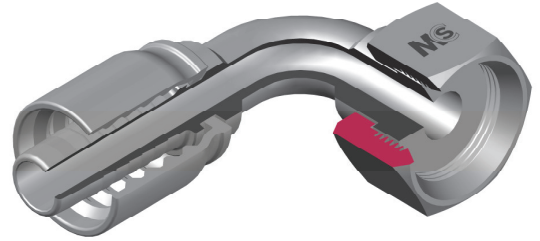
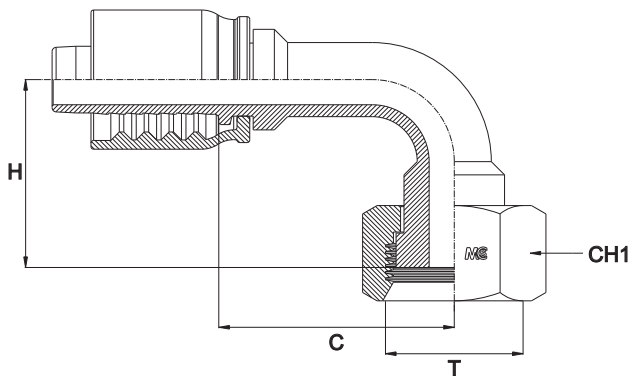
Bar W.P.	Codice Part Number	Filetto Thread	Ø Int. Tubo Inch. Hose I.D.	C Cut - Off	CH1
450	ORFSF0904PC	9/16"	1/4"	16,7	19
350	ORFSF0905PC	9/16"	5/16"	16,7	19
450	ORFSF1104PC	11/16"	1/4"	19,3	22
350	ORFSF1105PC	11/16"	5/16"	19,3	22
445	ORFSF1106PC	11/16"	3/8"	19,3	22
	ORFSF1306PC	13/16"	3/8"	-	24
415	ORFSF1308PC	13/16"	1/2"	-	24
	ORFSF1608PC	1"	1/2"	20,5	30
350	ORFSF1610PC	1"	5/8"	30,5	30
	ORFSF1612PC	1"	3/4"	30,5	30
415	ORFSF1908PC	1"3/16	1/2"	36,0	36
	ORFSF1912PC	1"3/16	3/4"	36,0	36
350	ORFSF2312PC	1"7/16	3/4"	37,0	41
280	ORFSF2316PC	1"7/16	1"	37,0	41
210	ORFSF2720PC	1"11/16	1"1/4	37,0	50
185	ORFSF3224PC	2"	1"1/2	-	60

**FEMMINA 45° ORFS**  
**45° ORFS FEMALE**  
**- ORFS 45° -**



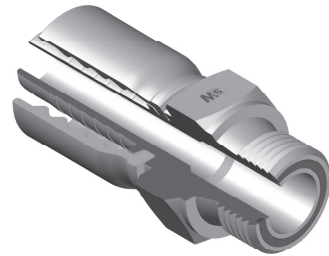
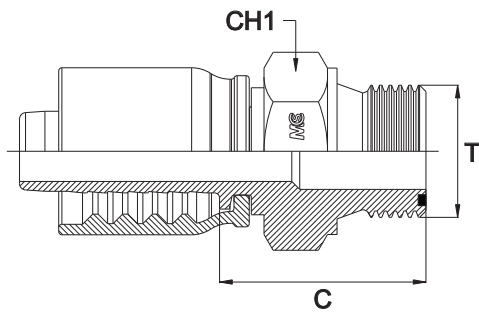
Bar W.P.	Codice Part Number	Filetto Thread	Ø Int. Tubo Inch. Hose I.D.	C Cut - Off	H Drop	CH1
450	45ORFSF0904PC	9/16"	1/4"	39,5	18,5	19
	45ORFSF1104PC	11/16"	1/4"	-	-	22
350	45ORFSF1105PC	11/16"	5/16"	-	-	22
445	45ORFSF1106PC	11/16"	3/8"	52,5	22,0	22
	45ORFSF1306PC	13/16"	3/8"	-	-	24
415	45ORFSF1308PC	13/16"	1/2"	-	-	24
	45ORFSF1608PC	1"	1/2"	-	-	30
350	45ORFSF1610PC	1"	5/8"	-	-	30
	45ORFSF1912PC	1"3/16	3/4"	86,0	32,5	36
	45ORFSF2312PC	1"7/16	3/4"	-	-	41
280	45ORFSF2316PC	1"7/16	1"	108,0	42,0	41
210	45ORFSF2720PC	1"11/16	1"1/4	-	-	50
185	45ORFSF3224PC	2"	1"1/2	-	-	60

**FEMMINA 90° ORFS**  
**90° ORFS FEMALE**  
**- ORFS 90° -**



Bar W.P.	Codice Part Number	Filetto Thread	Ø Int. Tubo Inch. Hose I.D.	C Cut - Off	H Drop	CH1
450	90ORFSF0904PC	9/16"	1/4"	21,5	28,5	19
350	90ORFSF0905PC	9/16"	5/16"	24,5	25,5	19
450	90ORFSF1104PC	11/16"	1/4"	37,0	36,8	22
350	90ORFSF1105PC	11/16"	5/16"	-	-	22
445	90ORFSF1106PC	11/16"	3/8"	34,0	37,7	22
	90ORFSF1306PC	13/16"	3/8"	-	-	24
415	90ORFSF1308PC	13/16"	1/2"	-	-	24
	90ORFSF1608PC	1"	1/2"	-	-	30
	90ORFSF1610PC	1"	5/8"	46,0	49,5	30
350	90ORFSF1910PC	1"3/16	5/8"	-	-	36
	90ORFSF1912PC	1"3/16	3/4"	53,5	60,5	36
	90ORFSF2312PC	1"7/16	3/4"	-	-	41
280	90ORFSF2316PC	1"7/16	1"	64,5	83,0	41
210	90ORFSF2720PC	1"11/16	1"1/4	81,0	97,5	50
185	90ORFSF3224PC	2"	1"1/2	-	-	60

**MASCHIO ORFS**  
**ORFS MALE**  
**- ORFS -**



Bar W.P.	Codice Part Number	Filetto Thread	Ø Int. Tubo Inch. Hose I.D.	C Cut - Off	CH1
450	ORFSM0904PC	9/16"	1/4"	23,5	17
350	ORFSM1105PC	11/16"	5/16"	27,0	19
445	ORFSM1106PC	11/16"	3/8"	27,0	19
415	ORFSM1308PC	13/16"	1/2"	29,0	22
350	ORFSM1610PC	1"	5/8"	32,5	27
	ORFSM1912PC	1"3/16	3/4"	36,5	32
280	ORFSM2316PC	1"7/16	1"	40,5	41
210	ORFSM2720PC	1"11/16	1"1/4	41,5	46
185	ORFSM3224PC	2"	1"1/2	-	55