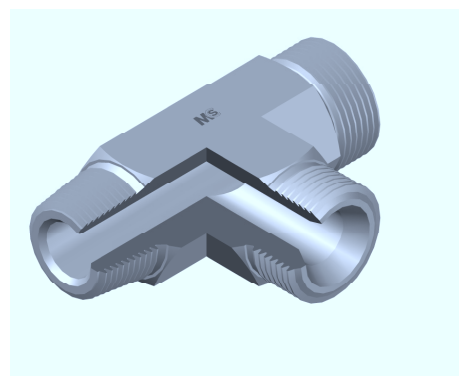
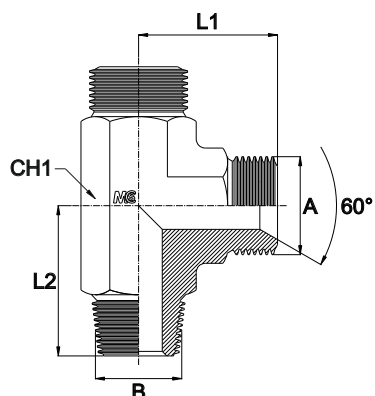


ADATTATORE A «T» MASCHIO DI ESTREMITÀ LATERALE

Filetto Gas Cilindrico/Conico

MALE STUD BARREL TEE

Thread BSP Parallel/BSP Taper



Bar W.P.	Codice Part Number	A	B	L1	L2	CH1
350	TLBSPBSPTMA0202	1/8"	1/8"	21,0	20,0	12
	TLBSPBSPTMA0404	1/4"	1/4"	26,0	28,0	14
250	TLBSPBSPTMA0606	3/8"	3/8"	29,0	31,0	19
225	TLBSPBSPTMA0808	1/2"	1/2"	34,0	37,5	22
200	TLBSPBSPTMA1010	5/8"	5/8"	38,0	40,0	27
	TLBSPBSPTMA1212	3/4"	3/4"	41,0	40,0	27
160	TLBSPBSPTMA1616	1"	1"	45,0	50,0	33
	TLBSPBSPTMA2020	1"1/4	1"1/4	52,0	60,0	41
	TLBSPBSPTMA2424	1"1/2	1"1/2	59,0	67,0	50
100	TLBSPBSPTMA3232	2"	2"	78,0	76,0	65