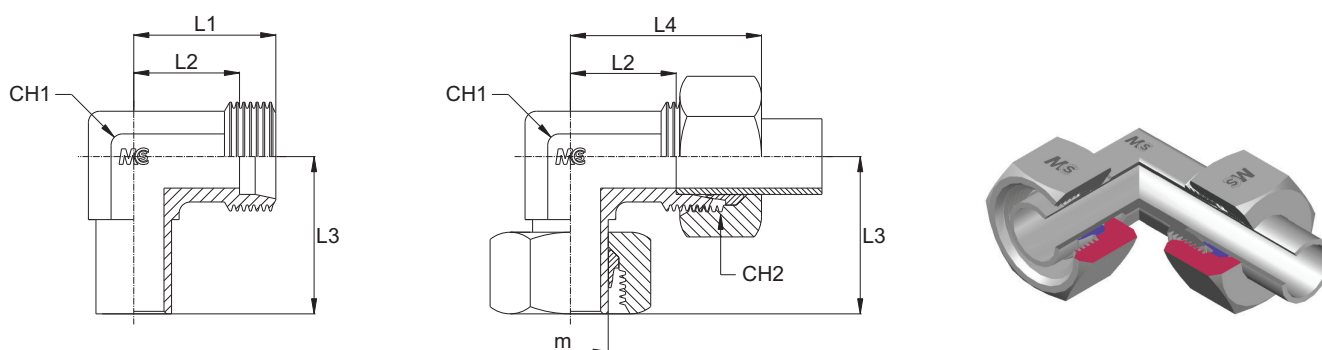


ADATTATORE A GOMITO DI ESTREMITÀ A CODOLO STUD STANDPIPE ELBOW



Serie Series	Bar W.P.	Codice (Corpo) Part Number (Body)	Codice (Completo) Part Number (Complete)	Ø Est. Tubo Tube O.D.	L1	L2	L3	L4	CH1	CH2
L	315	EVW06LB	EVW06L	6	19,0	12,0	26,0	27,0	12	14
		EVW08LB	EVW08L	8	21,0	14,0	27,5	29,0	12	17
		EVW10LB	EVW10L	10	22,0	15,0	29,0	30,0	14	19
		EVW12LB	EVW12L	12	24,0	17,0	29,5	32,0	17	22
		EVW15LB	EVW15L	15	28,0	21,0	32,5	36,0	19	27
		EVW18LB	EVW18L	18	31,0	23,5	35,5	40,0	24	32
	160	EVW22LB	EVW22L	22	35,0	27,5	38,5	44,0	27	36
		EVW28LB	EVW28L	28	38,0	30,5	41,5	47,0	36	41
		EVW35LB	EVW35L	35	45,0	34,5	51,0	56,0	41	50
		EVW42LB	EVW42L	42	51,0	40,0	56,0	63,0	50	60
S	630	EVW06SB	EVW06S	6	23,0	16,0	27,0	31,0	12	17
		EVW08SB	EVW08S	8	24,0	17,0	27,5	32,0	14	19
		EVW10SB	EVW10S	10	25,0	17,5	30,0	34,0	17	22
		EVW12SB	EVW12S	12	29,0	21,5	31,0	38,0	17	24
		EVW14SB	EVW14S	14	30,0	22,0	35,0	40,0	19	27
	400	EVW16SB	EVW16S	16	33,0	24,5	36,5	43,0	24	30
		EVW20SB	EVW20S	20	37,0	26,5	44,0	48,0	27	36
		EVW25SB	EVW25S	25	42,0	30,0	50,0	54,0	36	46
		EVW30SB	EVW30S	30	49,0	35,5	55,0	62,0	41	50
		EVW38SB	EVW38S	38	57,0	41,0	63,0	72,0	50	60
	315									