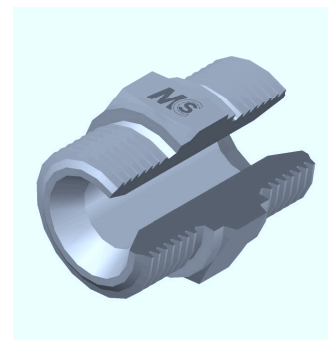
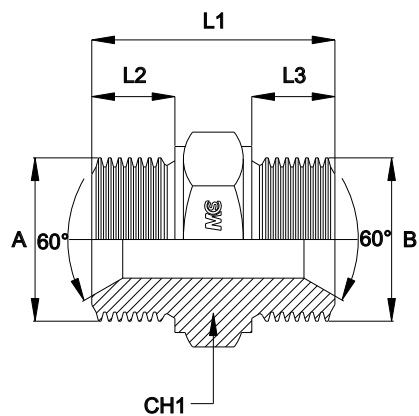


ADATTATORE DIRITTO MASCHIO

Filetto Gas Cilindrico

MALE STRAIGHT ADAPTOR

Thread BSP Parallel



| Bar W.P. | Codice Part Number | A | B | L1 | L2 | L3 | CH1 |
|----------|--------------------|--------|--------|------|------|------|-----|
| 400 | BSPMA0202 | 1/8" | 1/8" | 25,0 | 8,0 | 8,0 | 14 |
| | BSPMA0404 | 1/4" | 1/4" | 32,0 | 11,0 | 11,0 | 19 |
| | BSPMA0606 | 3/8" | 3/8" | 35,0 | 12,0 | 12,0 | 22 |
| 350 | BSPMA0808 | 1/2" | 1/2" | 39,0 | 14,0 | 14,0 | 27 |
| | BSPMA1010 | 5/8" | 5/8" | 43,0 | 16,0 | 16,0 | 30 |
| 315 | BSPMA1212 | 3/4" | 3/4" | 45,0 | 16,0 | 16,0 | 32 |
| 250 | BSPMA1616 | 1" | 1" | 53,0 | 19,0 | 19,0 | 41 |
| 220 | BSPMA2020 | 1" 1/4 | 1" 1/4 | 55,0 | 20,0 | 20,0 | 50 |
| 170 | BSPMA2424 | 1" 1/2 | 1" 1/2 | 56,5 | 20,0 | 20,0 | 55 |
| 125 | BSPMA3232 | 2" | 2" | 66,5 | 24,5 | 24,5 | 70 |
| 70 | BSPMA4040 | 2" 1/2 | 2" 1/2 | 69,5 | 26,0 | 26,0 | 80 |
| 70 | BSPMA4848 | 3" | 3" | 69,5 | 26,0 | 26,0 | 100 |