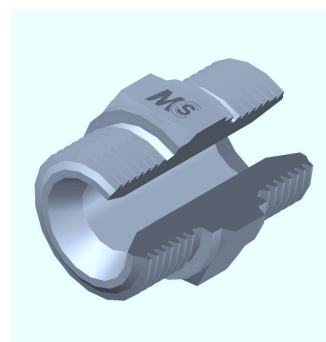
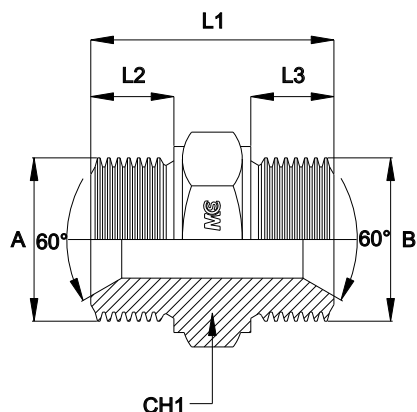


ADATTATORE DIRITTO MASCHIO

Filetto Metrico Cilindrico

MALE STRAIGHT ADAPTOR

Thread Metric Parallel



Bar W.P.	Codice Part Number	A	B	L1	L2	L3	CH1
400	MMA1212	12x1,5	12x1,5	34,0	12,0	12,0	17
	MMA1414	14x1,5	14x1,5	34,0	12,0	12,0	19
	MMA1616	16x1,5	16x1,5	34,0	12,0	12,0	22
	MMA1818	18x1,5	18x1,5	36,0	12,0	12,0	24
350	MMA2020	20x1,5	20x1,5	40,5	14,0	14,0	27
	MMA2222	22x1,5	22x1,5	41,0	14,0	14,0	27
315	MMA2424	24x1,5	24x1,5	41,0	14,0	14,0	30
	MMA2626	26x1,5	26x1,5	47,0	16,0	16,0	32
250	MMA2828	28x1,5	28x1,5	47,0	16,0	16,0	36
	MMA3030	30x1,5	30x1,5	48,0	16,0	16,0	36
200	MMA3838	38x1,5	38x1,5	50,0	16,0	16,0	46
160	MMA4545	45x1,5	45x1,5	52,0	16,0	16,0	55

Reducing Adaptor - Riduzioni

400	MMRA1214	12x1,5	14x1,5	34,0	12,0	12,0	19
	MMRA1416	14x1,5	16x1,5	34,0	12,0	12,0	22
	MMRA1418	14x1,5	18x1,5	36,0	12,0	12,0	24
	MMRA1618	16x1,5	18x1,5	36,0	12,0	12,0	24
350	MMRA1422	14x1,5	22x1,5	39,0	12,0	14,0	27
	MMRA1620	16x1,5	20x1,5	38,5	12,0	14,0	27
	MMRA1622	16x1,5	22x1,5	39,0	12,0	14,0	27
	MMRA1820	18x1,5	20x1,5	38,5	12,0	14,0	27
315	MMRA2022	20x1,5	22x1,5	41,0	14,0	14,0	27
	MMRA2226	22x1,5	26x1,5	44,5	14,0	16,0	32
250	MMRA2630	26x1,5	30x1,5	48,0	16,0	16,0	36
	MMRA3018	30x1,5	18x1,5	43,5	16,0	12,0	36
200	MMRA3038	30x1,5	38x1,5	50,0	16,0	16,0	46
160	MMRA3845	38x1,5	45x1,5	52,0	16,0	16,0	55