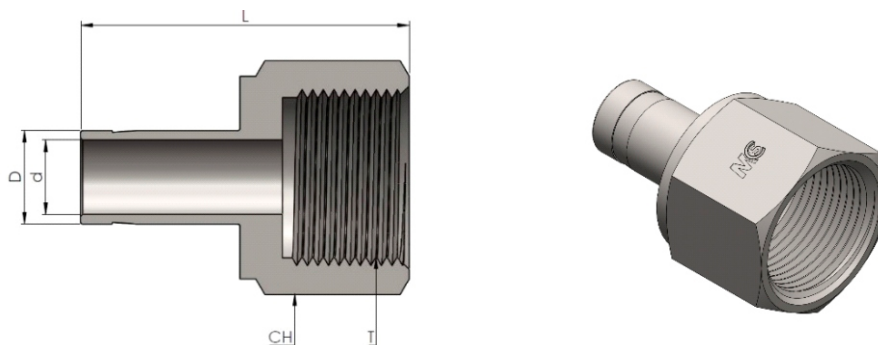


Adattatore Femmina BSP

BSP Female Adapter



Connects Fractional Tubes

Codice Part Number	D		T (BSP)	d	CH		L
	in	mm			in	mm	
FFABSP0202	1/8	3,17	1/8	2,03	9/16	14,28	29,72
FFABSP0402	1/4	6,35	1/8	4,32	9/16	14,28	31,75
FFABSP0404	1/4	6,35	1/4	4,32	3/4	19,05	38,10
FFABSP0604	3/8	9,52	1/4	6,86	3/4	19,05	39,37
FFABSP0606	3/8	9,52	3/8	6,86	15/16	23,81	39,87
FFABSP0806	1/2	12,70	3/8	9,65	15/16	23,81	45,21
FFABSP0808	1/2	12,70	1/2	9,65	1.1/16	26,98	51,31

Connects Metric Tubes

Codice Part Number	D	T (BSP)	d	CH	L
FFABSP0602M	6	1/8	4,1	14	32,0
FFABSP0604M	6	1/4	4,1	19	37,8
FFABSP1208M	12	1/2	8,8	27	49,8