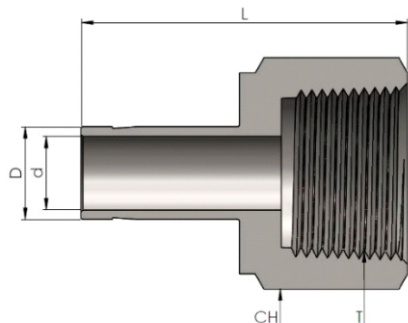


Adattatore Femmina NPT

NPT Female Adaptor



Connects Fractional Tubes

Codice Part Number	D		T (NPT)	d	CH		L
	in	mm			in	mm	
FFANPT0202	1/8	3,17	1/8	2,03	9/16	14,28	31,50
FFANPT0204	1/8	3,17	1/4	2,03	3/4	19,05	35,30
FFANPT0302	3/16	4,76	1/8	3,04	9/16	14,28	32,00
FFANPT0304	3/16	4,76	1/4	3,04	3/4	19,05	35,81
FFANPT0402	1/4	6,35	1/8	4,32	9/16	14,28	33,02
FFANPT0404	1/4	6,35	1/4	4,32	3/4	19,05	37,10
FFANPT0406	1/4	6,35	3/8	4,32	7/8	22,22	39,37
FFANPT0408	1/4	6,35	1/2	4,32	1.1/16	26,98	45,50
FFANPT0502	5/16	7,93	1/8	5,59	9/16	14,28	34,29
FFANPT0504	5/16	7,93	1/4	5,59	3/4	19,05	37,59
FFANPT0602	3/8	9,52	1/8	6,86	9/16	14,28	34,29
FFANPT0604	3/8	9,52	1/4	6,86	3/4	19,05	37,59
FFANPT0606	3/8	9,52	3/8	6,86	7/8	22,22	40,38
FFANPT0608	3/8	9,52	1/2	6,86	1.1/16	26,98	46,73
FFANPT0804	1/2	12,70	1/4	9,40	3/4	19,05	43,43
FFANPT0806	1/2	12,70	3/8	9,40	7/8	22,22	45,46
FFANPT0808	1/2	12,70	1/2	9,40	1.1/16	26,98	51,80
FFANPT1006	5/8	15,87	3/8	11,94	7/8	22,22	48,26
FFANPT1008	5/8	15,87	1/2	11,94	1.1/16	26,98	53,84
FFANPT1012	5/8	15,87	3/4	11,94	1.5/16	33,33	55,37
FFANPT1208	3/4	19,05	1/2	14,73	1.1/16	26,98	52,83
FFANPT1212	3/4	19,05	3/4	14,73	1.5/16	33,33	54,86
FFANPT1216	3/4	19,05	1	14,73	1.5/8	41,27	58,42
FFANPT1412	7/8	22,22	3/4	15,75	1.5/16	33,33	57,16
FFANPT1612	1	25,40	3/4	20,32	1.5/16	33,33	60,70
FFANPT1616	1	25,40	1	20,32	1.5/8	41,27	64,26
FFANPT2020	1.1/4	31,75	1.1/4	25,91	2.1/8	53,97	77,72
FFANPT2424	1.1/2	38,10	1.1/2	31,75	2.3/8	60,32	88,90
FFANPT3232	2	50,80	2	43,69	2.7/8	70,02	107,44