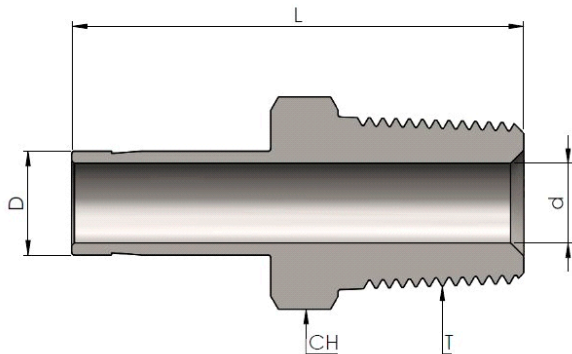


Adattatore Maschio NPT

NPT Male Adaptor



Connects Fractional Tubes

Codice Part Number	D		T (NPT)	d	CH		L
	in	mm			in	mm	
MANPT0202	1/8	3,17	1/8	2,03	7/16	11,11	29,50
MANPT0204	1/8	3,17	1/4	2,03	9/16	14,28	34,80
MANPT0302	3/16	4,76	1/8	3,04	7/16	11,11	30,22
MANPT0304	3/16	4,76	1/4	3,04	9/16	14,28	35,56
MANPT0402	1/4	6,35	1/8	4,32	7/16	11,11	31,80
MANPT0404	1/4	6,35	1/4	4,32	9/16	14,28	37,08
MANPT0406	1/4	6,35	3/8	4,32	11/16	17,46	37,84
MANPT0408	1/4	6,35	1/2	4,32	7/8	22,22	43,43
MANPT0502	5/16	7,93	1/8	4,57	7/16	11,11	32,76
MANPT0504	5/16	7,93	1/4	5,59	9/16	14,28	38,10
MANPT0602	3/8	9,52	1/8	4,83	7/16	11,11	33,50
MANPT0604	3/8	9,52	1/4	6,86	9/16	14,28	38,90
MANPT0606	3/8	9,52	3/8	6,86	11/16	17,46	39,60
MANPT0608	3/8	9,52	1/2	6,86	7/8	22,22	45,20
MANPT0804	1/2	12,70	1/4	7,11	9/16	14,28	44,50
MANPT0806	1/2	12,70	3/8	9,40	11/16	17,46	45,20
MANPT0808	1/2	12,70	1/2	9,40	7/8	22,22	50,50
MANPT1006	5/8	15,87	3/8	9,65	11/16	17,46	47,40
MANPT1008	5/8	15,87	1/2	11,94	7/8	22,22	52,30
MANPT1012	5/8	15,87	3/4	11,94	1.1/16	26,98	52,30
MANPT1208	3/4	19,05	1/2	11,94	7/8	22,22	52,30
MANPT1212	3/4	19,05	3/4	14,73	1.1/16	26,98	52,30
MANPT1216	3/4	19,05	1	14,73	1.3/8	34,92	57,91
MANPT1412	7/8	22,22	3/4	15,75	1.1/16	26,98	54,30
MANPT1612	1	25,4	3/4	15,75	1.1/16	26,98	58,70
MANPT1616	1	25,4	1	20,32	1.3/8	34,91	66,00
MANPT2020	1.1/4	31,75	1.1/4	25,91	1.3/4	44,45	80,26
MANPT2424	1.1/2	38,10	1.1/2	31,75	2.1/8	53,97	94,48
MANPT3232	2	50,80	2	43,69	2.3/4	69,85	119,38