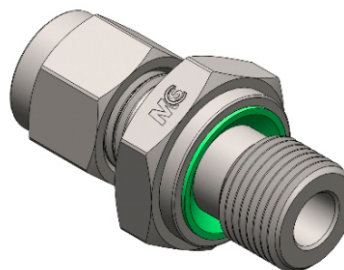
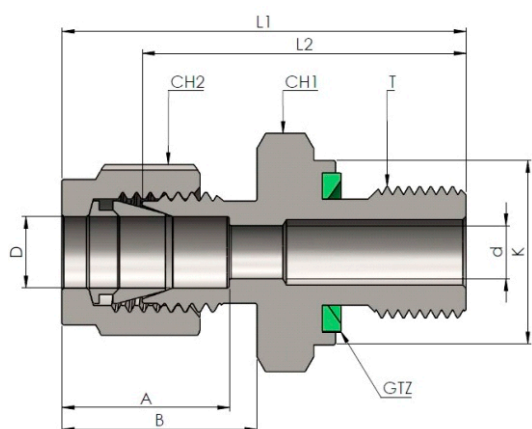


Connettore BSP con Tenuta GTZ

BSP Male Connector GTZ seal



Connects Fractional Tubes

Codice Part Number	D		T (BSP)	d	CH1		CH2		A	B	L1	L2
	in	mm			in	mm	in	mm				
SUBSPGTZ0202	1/8	3,17	1/8	2,28	3/4	19,05	7/16	11,11	12,70	15,24	32,76	26,16
SUBSPGTZ0402	1/4	6,35	1/8	4,82	3/4	19,05	9/16	14,28	15,24	17,78	35,05	27,68
SUBSPGTZ0404	1/4	6,35	1/4	4,82	15/16	23,81	9/16	14,28	15,24	17,78	38,35	30,98
SUBSPGTZ0604	3/8	9,52	1/4	7,11	15/16	23,81	11/16	17,46	16,76	19,30	39,87	32,51
SUBSPGTZ0606	3/8	9,52	3/8	7,11	1.1/8	28,57	11/16	17,46	16,76	19,30	41,40	34,03
SUBSPGTZ0608	3/8	9,52	1/2	7,11	1.5/16	33,33	11/16	17,46	16,76	19,30	46,99	39,62
SUBSPGTZ0808	1/2	12,70	1/2	10,41	1.5/16	33,33	7/8	22,22	22,86	21,84	49,78	39,62