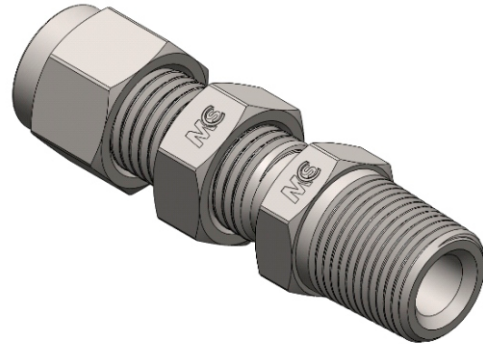
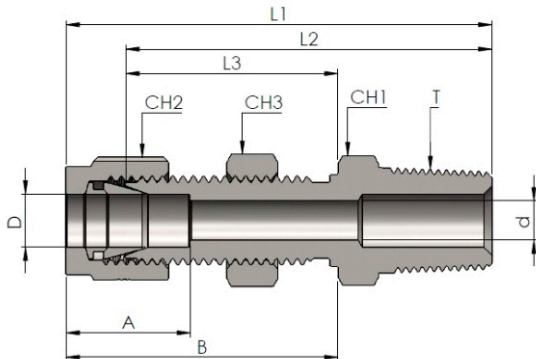


Connettore Passaparete Maschio NPT

NPT Male Bulkhead Connector



Connects Fractional Tubes

Codice Part Number	D		T (NPT)	d	CH1		CH2		CH3		A	B	L1	L2	L3	Diametro Fore pannello Panel Hole Drill Size	Spessore Max. Pannello Panel Max Thickness
	in	mm			in	mm	in	mm	in	mm							
SUBKNPT0202	1/8	3,17	1/8	2,28	9/16	14,29	7/16	11,11	1/2	12,70	12,70	31,24	46,48	39,87	24,63	8,33	12,20
SUBKNPT0402	1/4	6,35	1/8	4,82	5/8	15,87	9/16	14,28	5/8	15,87	15,24	33,52	49,53	42,16	26,16	11,50	10,16
SUBKNPT0404	1/4	6,35	1/4	4,82	5/8	15,87	9/16	14,28	5/8	15,87	15,24	33,52	53,34	45,97	26,16	11,50	10,16
SUBKNPT0604	3/8	9,52	1/4	7,11	3/4	19,05	11/16	17,46	3/4	19,05	16,76	36,83	57,40	50,03	29,46	14,68	11,17
SUBKNPT0606	3/8	9,52	3/8	7,11	3/4	19,05	11/16	17,46	3/4	19,05	16,76	36,83	57,40	50,03	29,46	14,68	11,17
SUBKNPT0608	3/8	9,52	1/2	7,11	7/8	22,22	11/16	17,46	3/4	19,05	16,76	36,83	63,75	56,38	29,46	14,68	11,17
SUBKNPT0806	1/2	12,70	3/8	9,39	15/16	23,81	7/8	22,22	15/16	23,81	22,86	41,91	43,24	53,08	31,75	19,44	12,70
SUBKNPT0808	1/2	12,70	1/2	10,41	15/16	23,81	7/8	22,22	15/16	23,81	22,86	41,91	68,83	58,67	31,75	19,44	12,70
SUBKNPT1212	3/4	19,05	3/4	15,74	1.3/16	30,16	1.1/8	28,57	1.3/16	30,16	24,38	47,49	76,20	66,04	37,33	25,76	16,76
SUBKNPT1616	1	25,40	1	22,35	1.5/8	41,27	1.1/2	38,10	1.5/8	41,27	31,24	57,40	93,21	81,02	45,21	33,73	19,05