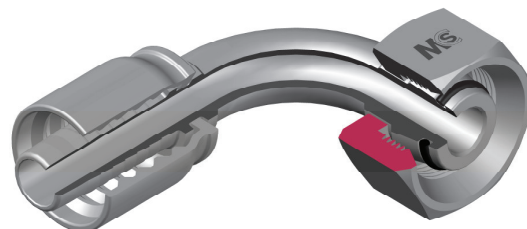
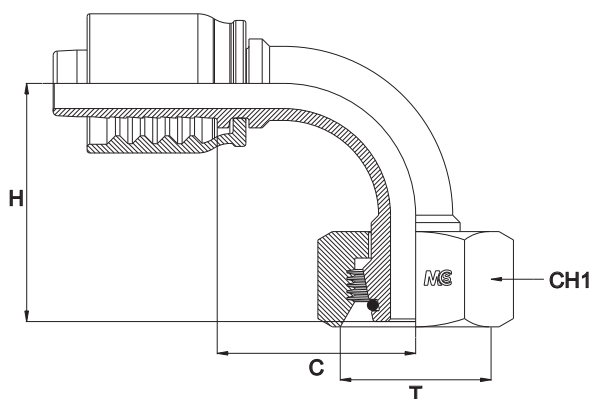


**FEMMINA GIREVOLE 90° O'RING FILETTO METRICO CONO 24° - SERIE PESANTE**  
**90° O'RING METRIC SWIVEL FEMALE 24° CONE - HEAVY TYPE**  
**- DKOS 90° -**



Bar W.P.	Codice Part Number	Filetto Thread	Ø Int. Tubo Inch. Hose I.D.	DIN 24°	C Cut - Off	H Drop	CH1
420	900RMSFH0603PC	14x1,5	3/16"	06S	24,5	32,0	17
450	900RMSFH0604PC	14x1,5	1/4"	06S	27,0	32,0	17
420	900RMSFH0803PC	16x1,5	3/16"	08S	27,0	32,0	19
450	900RMSFH0804PC	16x1,5	1/4"	08S	27,0	32,0	19
350	900RMSFH0805PC	16x1,5	5/16"	08S	37,0	36,5	19
350	900RMSFH0806PC	16x1,5	3/8"	08S	35,0	37,5	19
450	900RMSFH1004PC	18x1,5	1/4"	10S	28,0	35,5	22
350	900RMSFH1005PC	18x1,5	5/16"	10S	37,0	36,5	22
450	900RMSFH1006PC	18x1,5	3/8"	10S	37,0	37,5	22
	900RMSFH1204PC	20x1,5	1/4"	12S	27,0	36,5	24
350	900RMSFH1205PC	20x1,5	5/16"	12S	37,0	37,0	24
450	900RMSFH1206PC	20x1,5	3/8"	12S	35,5	36,5	24
420	900RMSFH1208PC	20x1,5	1/2"	12S	37,0	47,5	24
450	900RMSFH1406PC	22x1,5	3/8"	14S	39,5	38,5	27
	900RMSFH1408PC	22x1,5	1/2"	14S	40,0	46,5	27
420	900RMSFH1606PC	24x1,5	3/8"	16S	35,4	43,0	30
	900RMSFH1608PC	24x1,5	1/2"	16S	36,5	45,5	30
	900RMSFH1610PC	24x1,5	5/8"	16S	42,0	50,0	30
350	900RMSFH2008PC	30x2	1/2"	20S	40,0	48,0	36
	900RMSFH2010PC	30x2	5/8"	20S	42,0	50,0	36
	900RMSFH2012PC	30x2	3/4"	20S	47,5	65,5	36
	900RMSFH2512PC	36x2	3/4"	25S	55,5	60,5	46
280	900RMSFH2516PC	36x2	1"	25S	69,5	74,5	46
	900RMSFH3012PC	42x2	3/4"	30S	53,0	65,0	50
210	900RMSFH3016PC	42x2	1"	30S	68,0	78,5	50
	900RMSFH3820PC	52x2	1" 1/4	38S	84,0	93,0	60
185	900RMSFH3824PC	52x2	1" 1/2	38S	108,0	112,0	60
	900RMSFH5024PC	68x2	1" 1/2	50S	-	-	80