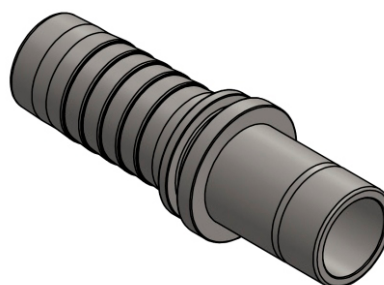
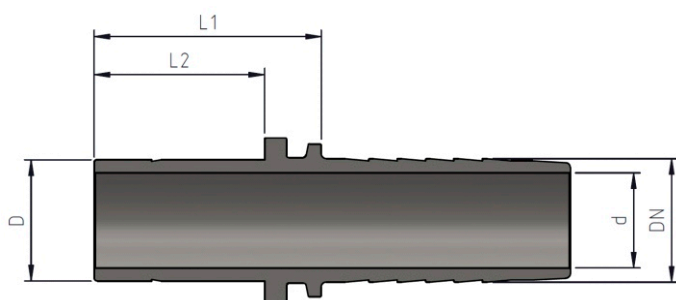


Femmina tubolare con scanalatura

Standpipe with groove



Connects Fractional Tubes

Codice Part Number	D	DN	L1	L2	d
IS0404WG	1/4"	1/4"	29,5	23,0	4,0
IS0604WG	3/8"	1/4"	31,5	25,0	4,0
IS0606WG	3/8"	3/8"	32,0	25,0	7,0
IS0805WG	1/2"	5/16"	32,0	25,0	5,5
IS0808WG	1/2"	1/2"	33,0	25,0	9,5
IS1008WG	5/8"	1/2"	33,0	25,0	9,5
IS1212WG	3/4"	3/4"	36,0	27,0	15,0
IS1616WG	1"	1"	40,0	30,0	20,0

Connects Metric Tubes

Codice Part Number	D	DN	L1	L2	d
SLH0604WG	6,0	1/4"	29,5	23,0	4,0
SLH0804WG	8,0	1/4"	39,5	23,0	4,0
SLH1004WG	10,0	1/4"	31,5	25,0	4,0
SLH1006WG	10,0	3/8"	32,0	25,0	7,0
SLH1205WG	12,0	5/16"	35,0	28,0	5,5
SLH1206WG	12,0	3/8"	35,0	28,0	7,0
SLH1608WG	16,0	1/2"	38,0	30,0	9,5
SLH1610WG	16,0	5/8"	39,5	30,0	12,0
SLH1810WG	18,0	5/8"	39,5	30,0	12,0