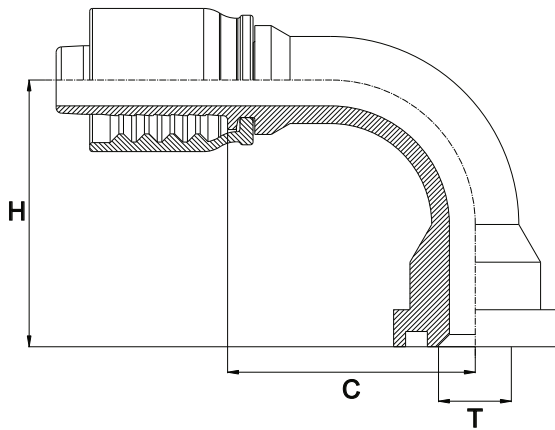


FLANGIA 90° SAE SERIE 3000 PSI
90° SAE FLANGE 3000 PSI
- SFL 90° -



Bar W.P.	Codice Part Number	Flangia Flange	Ø Int. Tubo Inch. Hose I.D.	T	C Cut - Off	H Drop
350	90SF30000808PC	1/2"	1/2"	30,2	41,0	50,5
	90SF30001208PC	3/4"	1/2"	38,1	-	-
	90SF30001210PC	3/4"	5/8"	38,1	58,0	52,0
	90SF30001212PC	3/4"	3/4"	38,1	51,0	61,5
	90SF30001612PC	1"	3/4"	44,5	50,0	65,0
280	90SF30001616PC	1"	1"	44,5	65,0	70,5
	90SF30002016PC	1" 1/4	1"	50,8	69,8	86,2
210	90SF30002020PC	1" 1/4	1" 1/4	50,8	83,0	95,0
	90SF30002420PC	1" 1/2	1" 1/4	60,3	84,2	99,0
185	90SF30002424PC	1" 1/2	1" 1/2	60,3	113,0	110,0