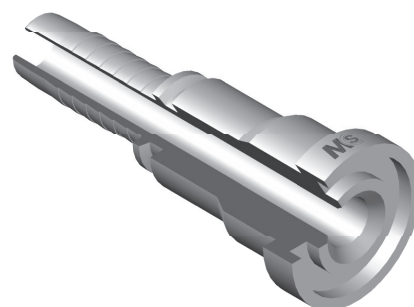
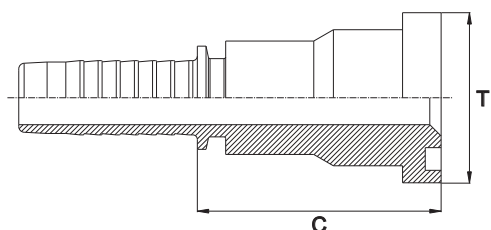


FLANGIA SAE SERIE 3000 PSI
SAE STRAIGHT FLANGE 3000 PSI
- SFL -



Bar W.P.	Codice Part Number	Flangia Flange	Ø Int. Tubo Inch. Hose I.D.	T	C Cut - Off
350	SSF30000808	1/2"	1/2"	30,2	43,0
	SSF30001208	3/4"	1/2"	38,1	47,0
	SSF30001210	3/4"	5/8"	38,1	48,5
	SSF30001212	3/4"	3/4"	38,1	47,5
	SSF30001610	1"	5/8"	44,5	54,5
	SSF30001612	1"	3/4"	44,5	53,5
280	SSF30001616	1"	1"	44,5	54,5
	SSF30002016	1" 1/4	1"	50,8	56,5
210	SSF30002020	1" 1/4	1" 1/4	50,8	57,5
280	SSF30002416	1" 1/2	1"	60,3	56,5
210	SSF30002420	1" 1/2	1" 1/4	60,3	62,5
185	SSF30002424	1" 1/2	1" 1/2	60,3	63,0
-	SSF30003224*	2"	1" 1/2	71,4	50,5
170	SSF30003232	2"	2"	71,4	63,0
-	SSF30004032*	2" 1/2	2"	84,1	58,0
140	SSF30004040	2" 1/2	2" 1/2	84,1	60,0
90	SSF30004848	3"	3"	101,5	132,0

* Saldata

* Welded