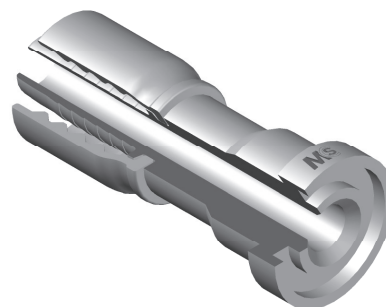
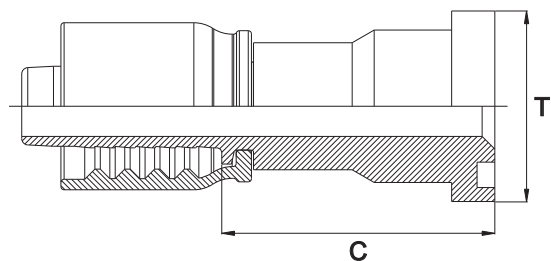


**FLANGIA SAE SERIE 6000 PSI**  
**SAE STRAIGHT FLANGE 6000 PSI**  
**- SFS -**



Bar W.P.	Codice Part Number	Flangia Flange	Ø Int. Tubo Inch. Hose I.D.	T	C Cut - Off
415	SSF60000808PC	1/2"	1/2"	31,7	43,0
	SSF60001208PC	3/4"	1/2"	41,3	53,0
350	SSF60001210PC	3/4"	5/8"	41,3	54,5
	SSF60001212PC	3/4"	3/4"	41,3	53,5
	SSF60001610PC	1"	5/8"	47,6	59,5
	SSF60001612PC	1"	3/4"	47,6	58,5
280	SSF60001616PC	1"	1"	47,6	59,5
	SSF60002016PC	1,1/4"	1"	54,0	66,5
210	SSF60002020PC	1,1/4"	1,1/4"	54,0	67,5
280	SSF60002416PC	1"1/2	1"	-	72,5
210	SSF60002420PC	1"1/2	1"1/4	63,5	72,5
185	SSF60002424PC	1"1/2	1"1/2	63,5	73,0