

INNESTI RAPIDI VALVOLATI CON BLOCCAGGIO A SFERE

Norma ISO 7241-1 "B" - Acciaio Inox AISI 316

QUICK-RELEASE COUPLINGS

ISO 7241-1 "B" Standard - AISI 316 Stainless Steel

Filettatura standard BSP, altre su richiesta.

Pressione di scoppio: 2,5 volte la pressione nominale di esercizio.

Guarnizioni in VITON® di serie, altre disponibili su richiesta.

Antiestrusori in PTFE.

Intercambiabilità secondo ISO 7241-1 parte B.

Completamente costruito in acciaio inox AISI 316

(Molle, sfere, valvole, guidavalvole, etc.).

Innestabilità in assenza di pressione.

Disinnestabilità in pressione non consentita.

A richiesta sono inoltre disponibili tappi di sicurezza in Alluminio con catena in Acciaio Inox.

Standard thread BSP, others available on request.

Burst-pressure: 2,5 time working pressure

VITON® seals standard, others available on request.

PTFE Backup rings.

Interchangeability according to ISO 7241-1 part B.

Machined from stainless steel AISI 316

(Springs, balls, valves, guidevalves, etc.).

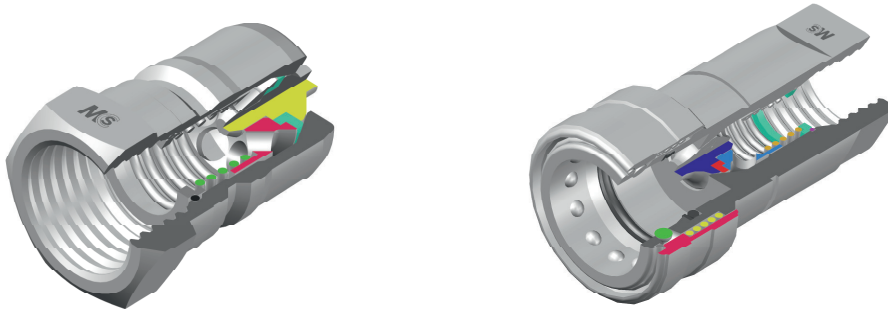
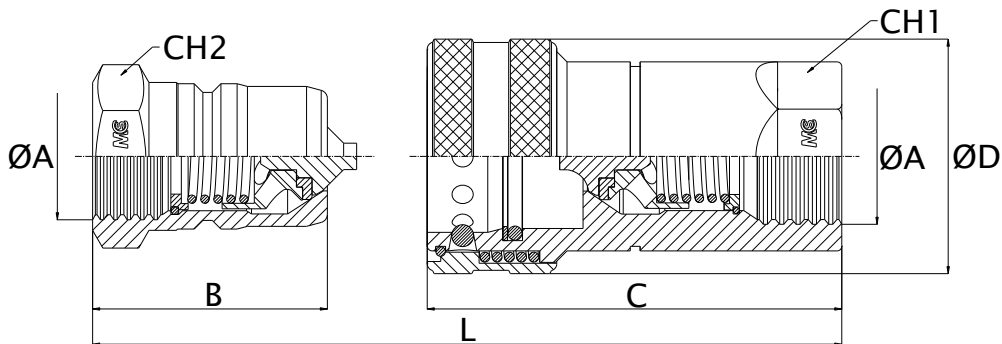
Connection possible in state of pressurelessness.

Disconnection under pressure is not allowed.

Safety caps in Aluminum with Stainless Steel chain, available on request.

Maschio/Male

Femmina/Female



Bar WP	Codice Maschio Male Code	Codice Femmina Female Code	Ø A Inch.	B mm	C mm	D mm	L mm	CH1	CH2	S mm²	M Kg
300	BSPQRCM02	BSPQRCF02	1/8"	31,0	50,0	24,0	62,0	14,0	14,0	12,5	0,11
	BSPQRCM04	BSPQRCF04	1/4"	36,0	57,0	28,0	72,0	19,0	19,0	22,5	0,17
250	BSPQRCM06	BSPQRCF06	3/8"	39,0	64,0	35,0	78,0	24,0	22,0	40,5	0,29
	BSPQRCM08	BSPQRCF08	1/2"	45,5	73,0	42,0	91,0	27,0	27,0	79,0	0,50
	BSPQRCM12	BSPQRCF12	3/4"	53,5	87,0	51,5	107,0	36,0	34,0	169,0	0,85
200	BSPQRCM16	BSPQRCF16	1"	63,0	102,0	60,0	125,0	41,0	41,0	224,0	1,25
140	BSPQRCM20	BSPQRCF20	1,1/4"	126,0	126,0	75,0	198,0	65,0	65,0	865,0	3,70
	BSPQRCM24	BSPQRCF24	1,1/2"	126,0	126,0	75,0	198,0	65,0	65,0	865,0	3,70
90	BSPQRCM32	BSPQRCF32	2"	142,0	142,0	105,0	222,0	90,0	90,0	1780,0	8,00

A richiesta Maschi e Femmine ISO A e ISO B con adattatore filettatura Maschio.
On request ISO A and ISO B Plug/Coupler with male threaded - end adaptor.

S = Sezione di passaggio
M = Peso complessivo M+F
VITON® è un marchio registrato dalla DuPont Dow Elastomers

S = Flow section
M = Total weight M+F
VITON® is a DuPont Dow Elastomers Trade Mark