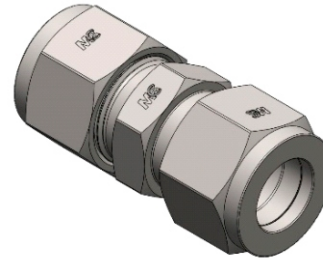
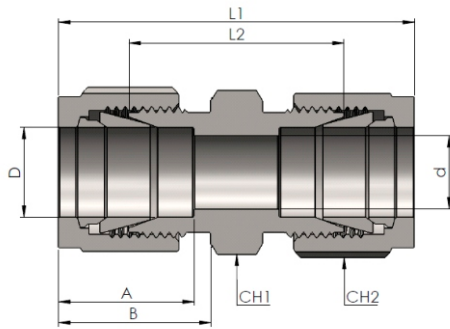


## Intermedio

### Straight Union



### Connects Fractional Tubes

Codice Part Number	D		d	CH1		CH2		A	B	L1	L2
	in	mm		in	mm	in	mm				
SU01	1/16	1,58	1,27	5/16	7,93	7/16	11,11	8,64	10,92	25,14	17,50
SU02	1/8	3,17	2,28	7/16	11,11	7/16	11,11	12,70	15,24	35,56	22,35
SU03	3/16	4,76	3,04	7/16	11,11	1/2	12,70	13,71	16,00	37,33	24,13
SU04	1/4	6,35	4,82	9/16	14,28	9/16	14,28	15,24	17,78	40,89	26,16
SU05	5/16	7,93	6,35	9/16	14,28	5/8	15,87	16,25	18,54	42,92	28,19
SU06	3/8	9,52	7,11	5/8	15,87	11/16	17,46	16,76	19,30	44,95	30,22
SU08	1/2	12,70	10,41	13/16	20,63	7/8	22,22	22,86	21,84	51,30	30,98
SU10	5/8	15,87	12,70	15/16	23,81	1	25,40	24,38	21,84	52,07	31,75
SU12	3/4	19,05	15,74	1.1/16	26,98	1.1/8	28,57	24,38	21,84	53,59	33,27
SU14	7/8	22,22	18,28	1.3/16	30,16	1.1/4	31,75	25,90	21,84	55,37	35,05
SU16	1	25,40	22,35	1.3/8	34,92	1.1/2	38,10	31,24	26,41	64,77	40,38
SU20	1.1/4	31,75	27,68	1.3/4	44,45	1.7/8	47,62	41,14	38,86	92,20	48,00
SU24	1.1/2	38,10	34,03	2.1/8	53,97	2.1/4	57,15	50,03	45,21	107,95	53,60
SU32	2	50,80	45,97	2.3/4	69,85	3	76,20	67,56	62,73	149,35	74,70

### Connects Metric Tubes

Codice Part Number	D	d	CH1	CH2	A	B	L1	L2
SU02M	2	1,70	12	11	12,9	15,3	35,6	22,4
SU03M	3	2,40	12	11	12,9	15,3	35,3	22,1
SU04M	4	2,40	12	12	13,7	16,1	37,3	24,1
SU06M	6	4,80	14	14	15,3	17,7	41,0	26,2
SU08M	8	6,40	17	16	16,2	18,6	43,2	28,2
SU10M	10	7,90	19	19	17,2	19,5	46,2	31,0
SU12M	12	9,50	22	22	22,8	22,0	51,2	31,0
SU14M	14	11,11	24	25	24,4	22,0	52,0	31,8
SU15M	15	11,90	24	25	24,4	22,0	52,0	31,8
SU16M	16	12,70	24	25	24,4	22,0	52,0	31,8
SU18M	18	15,10	27	30	24,4	22,0	53,5	33,3
SU20M	20	15,90	30	32	26,0	22,0	55,0	34,8
SU22M	22	18,30	30	32	26,0	22,0	55,0	34,8
SU25M	25	21,80	36	38	31,3	26,5	65,0	40,4