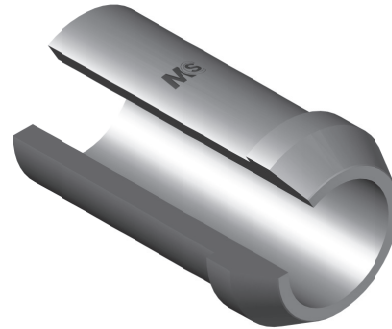
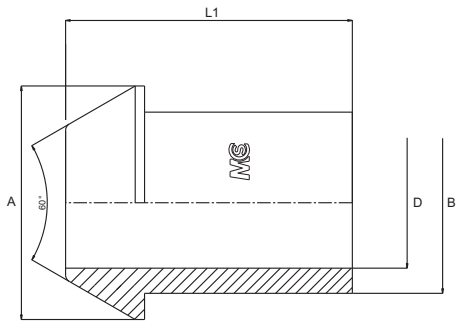


**OGIVA A SALDARE SV.60°**

Filetto Gas Cilindrico

**WELD ON NIPPLE 60° CONE**

Thread BSP



Bar W.P.	Codice Part Number	A	B	D	L1
300	OSG02	-	-	-	-
	OSG04	11,5	9,6	4,0	27,0
	OSG06	14,5	12,8	7,0	28,0
200	OSG08	18,6	15,8	9,5	28,0
	OSG12	24,1	21,8	15,0	34,0
120	OSG16	30,0	26,7	20,0	36,0
105	OSG20	38,8	33,5	29,0	37,0
	OSG24	44,4	40,9	32,0	37,0
70	OSG32	56,2	53,7	40,0	40,0