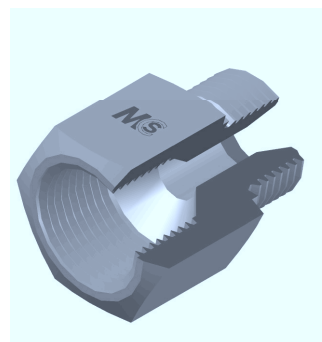
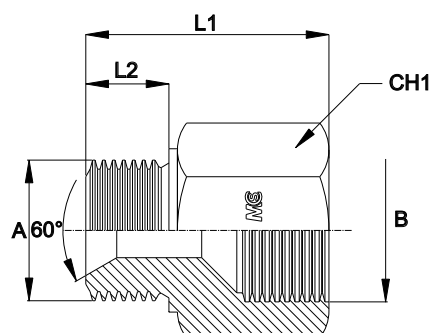


PROLUNGA DIRITTA MASCHIO/FEMMINA

Filetto Gas Cilindrico

MALE/FEMALE CONNECTOR

Thread BSP Parallel



Bar W.P.	Codice Part Number	A	B	L1	L2	CH1
400	BSPMFFA0202	1/8"	1/8"	28,0	8,0	14
	BSPMFFA0204	1/8"	1/4"	29,0	8,0	19
	BSPMFFA0206	1/8"	3/8"	31,0	8,0	22
	BSPMFFA0402	1/4"	1/8"	31,0	11,0	19
	BSPMFFA0404	1/4"	1/4"	32,0	11,0	19
	BSPMFFA0406	1/4"	3/8"	32,0	11,0	22
350	BSPMFFA0408	1/4"	1/2"	36,0	11,0	27
250	BSPMFFA0416	1/4"	1"	43,5	11,0	38
400	BSPMFFA0604	3/8"	1/4"	35,0	12,0	22
	BSPMFFA0606	3/8"	3/8"	35,0	12,0	22
350	BSPMFFA0608	3/8"	1/2"	37,0	12,0	27
250	BSPMFFA0616	3/8"	1"	44,5	12,0	38
350	BSPMFFA0804	1/2"	1/4"	39,0	14,0	27
	BSPMFFA0806	1/2"	3/8"	38,0	14,0	27
	BSPMFFA0808	1/2"	1/2"	39,0	14,0	27
315	BSPMFFA0812	1/2"	3/4"	42,5	14,0	32
	BSPMFFA1204	3/4"	1/4"	37,5	16,0	32
	BSPMFFA1206	3/4"	3/8"	39,5	16,0	32
	BSPMFFA1208	3/4"	1/2"	41,0	16,0	32
250	BSPMFFA1212	3/4"	3/4"	45,0	16,0	32
125	BSPMFFA1216	3/4"	1"	49,0	16,0	38
250	BSPMFFA1232	3/4"	2"	54,0	16,0	70
	BSPMFFA1606	1"	3/8"	50,5	19,0	41
	BSPMFFA1608	1"	1/2"	52,5	19,0	41
	BSPMFFA1612	1"	3/4"	52,5	19,0	41
200	BSPMFFA1616	1"	1"	53,0	19,0	41
200	BSPMFFA1620	1"	1"1/4"	56,5	19,0	50
160	BSPMFFA1624	1"	1"1/2"	54,0	19,0	55
200	BSPMFFA2012	1"1/4"	3/4"	53,0	20,0	50
	BSPMFFA2016	1"1/4"	1"	53,0	20,0	50
	BSPMFFA2020	1"1/4"	1"1/4"	57,0	20,0	50
160	BSPMFFA2412	1"1/2"	3/4"	53,0	20,0	55
	BSPMFFA2416	1"1/2"	1"	53,0	20,0	55
	BSPMFFA2420	1"1/2"	1"1/4"	55,5	20,0	55
	BSPMFFA2424	1"1/2"	1"1/2"	55,5	20,0	55
125	BSPMFFA2432	1"1/2"	2"	58,0	20,0	70
	BSPMFFA3216	2"	1"	52,0	24,5	70
	BSPMFFA3220	2"	1"1/4"	62,0	24,5	70
	BSPMFFA3224	2"	1"1/2"	62,0	24,5	70
	BSPMFFA3232	2"	2"	66,5	24,5	70