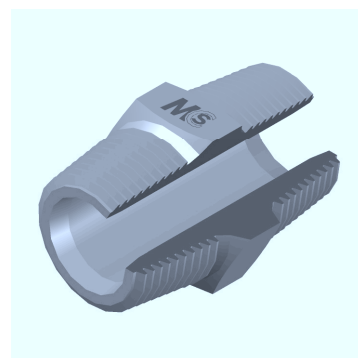
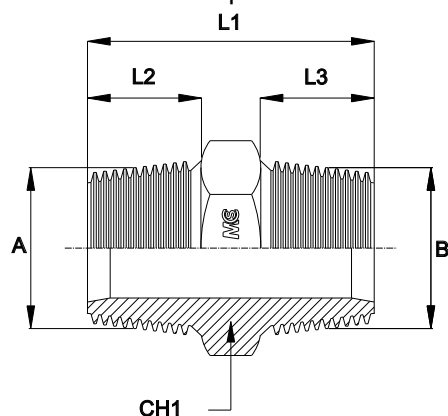


ADATTATORE DIRITTO MASCHIO

Filetto Gas Conico

MALE STRAIGHT ADAPTOR

Thread BSP Taper



Bar W.P.	Codice Part Number	A	B	L1	L2	L3	CH1
350	BSPTMA0202	1/8"	1/8"	23,0	8,0	8,0	14
300	BSPTMA0404	1/4"	1/4"	32,0	13,0	13,0	14
280	BSPTMA0606	3/8"	3/8"	36,5	14,0	14,0	19
200	BSPTMA0808	1/2"	1/2"	43,5	17,0	17,0	22
	BSPTMA1212	3/4"	3/4"	45,0	17,5	17,5	27
120	BSPTMA1616	1"	1"	54,0	22,0	22,0	36
105	BSPTMA2020	1" 1/4	1" 1/4	59,0	24,0	24,0	46
	BSPTMA2424	1" 1/2	1" 1/2	59,5	24,0	24,0	50
70	BSPTMA3232	2"	2"	62,5	25,0	25,0	65

Reducing Adaptor - Riduzioni

300	BSPTMRA0402	1/4"	1/8"	28,0	13,0	8,0	14
280	BSPTMRA0604	3/8"	1/4"	34,5	14,0	13,0	19
200	BSPTMRA0802	1/2"	1/8"	33,5	17,0	8,0	22
	BSPTMRA0804	1/2"	1/4"	38,5	17,0	13,0	22
	BSPTMRA0806	1/2"	3/8"	40,0	17,0	14,0	22
	BSPTMRA1206	3/4"	3/8"	41,5	17,5	14,0	27
	BSPTMRA1208	3/4"	1/2"	45,0	17,5	17,0	27
120	BSPTMRA1608	1"	1/2"	50,0	22,0	17,0	36
	BSPTMRA1612	1"	3/4"	49,0	22,0	17,5	36
105	BSPTMRA2016	1" 1/4	1"	57,0	24,0	22,0	46
	BSPTMRA2420	1" 1/2	1" 1/4	59,5	24,0	24,0	50
70	BSPTMRA3224	2"	1" 1/2	64,5	25,0	24,0	65