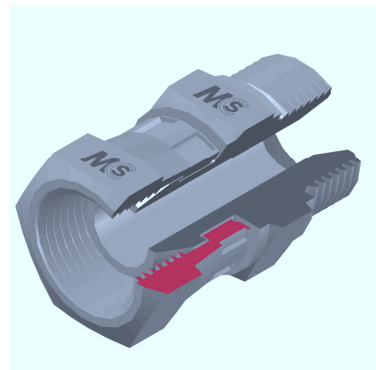
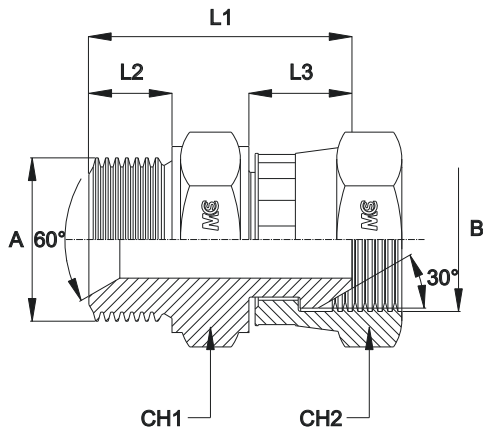


ADATTATORE MASCHIO/FEMMINA GIREVOLE

Filetto Gas Cilindrico

MALE/SWIVEL FEMALE CONNECTOR

Thread BSP Parallel



Bar W.P.	Codice Part Number	A	B Tubo Tube O.D.	L1	L2	L3	CH1	CH2
350	BSPMSFA0202	1/8"	1/8"	27,7	8,0	9,7	14	17
	BSPMSFA0404	1/4"	1/4"	32,5	11,0	9,7	19	19
250	BSPMSFA0606	3/8"	3/8"	35,5	12,0	12,3	22	22
225	BSPMSFA0808	1/2"	1/2"	40,0	14,0	14,5	27	27
200	BSPMSFA1212	3/4"	3/4"	45,0	16,0	16,0	32	32
	BSPMSFA1616	1"	1"	52,0	19,0	16,8	41	38
160	BSPMSFA2020	1" 1/4	1" 1/4	53,0	20,0	16,5	50	50
	BSPMSFA2424	1" 1/2	1" 1/2	58,0	20,0	20,5	55	55
125	BSPMSFA3232	2"	2"	60,0	24,5	20,0	70	70

Reducing Adaptor - Riduzioni

350	BSPMSFA0204	1/8"	1/4"	30,0	8,0	10,0	14	19
	BSPMSFA0406	1/4"	3/8"	35,0	11,0	12,5	19	22
250	BSPMSFA0604	3/8"	1/4"	35,0	12,0	10,0	22	19
	BSPMSFA0608	3/8"	1/2"	38,0	12,0	14,5	22	27
225	BSPMSFA0812	1/2"	3/4"	42,0	14,0	16,0	27	32
	BSPMSFA0816	1/2"	1"	46,5	14,0	17,0	27	38
200	BSPMSFA1208	3/4"	1/2"	43,5	16,0	14,5	32	27
	BSPMSFA1216	3/4"	1"	49,0	16,0	17,0	32	38
160	BSPMSFA1620	1"	1" 1/4	49,5	17,0	16,5	41	50
	BSPMSFA1624	1"	1" 1/2	55,0	17,0	20,5	46	55
160	BSPMSFA2024	1" 1/4	1" 1/2	58,0	20,0	20,5	50	55