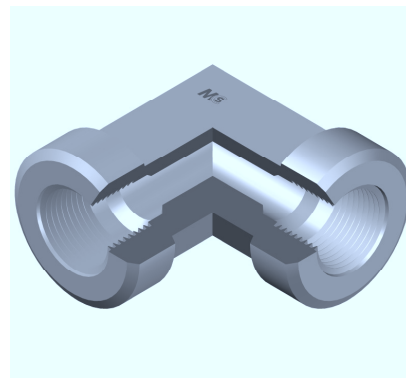
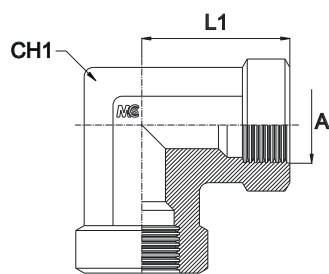


ADATTATORE A 90° FEMMINA INTERMEDIO

Filetto Gas Cilindrico

FEMALE EQUAL ELBOW

Thread BSP Parallel



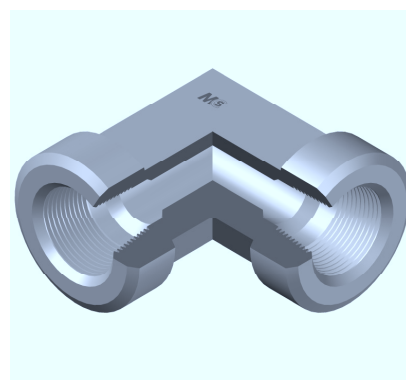
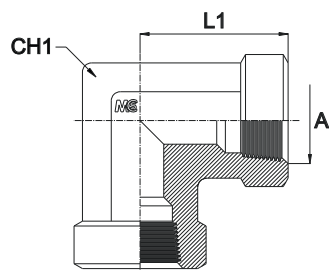
Bar W.P.	Codice Part Number	A	L1	CH1
350	LBSPFFA0202	1/8"	17,0	14
	LBSPFFA0404	1/4"	22,5	19
250	LBSPFFA0606	3/8"	26,0	22
225	LBSPFFA0808	1/2"	31,0	27
200	LBSPFFA1212	3/4"	34,5	33
160	LBSPFFA1616	1"	41,0	41
	LBSPFFA2020	1" 1/4	43,0	50
	LBSPFFA2424	1" 1/2	53,0	65
100	LBSPFFA3232	2"	61,0	70

ADATTATORE A 90° FEMMINA INTERMEDIO

Filetto NPT

FEMALE EQUAL ELBOW

Thread NPT



Bar W.P.	Codice Part Number	A	L1	CH1
350	LNPTFFA0202	1/8"	17,0	14
	LNPTFFA0404	1/4"	22,5	19
250	LNPTFFA0606	3/8"	26,0	22
225	LNPTFFA0808	1/2"	31,0	27
200	LNPTFFA1212	3/4"	34,5	33
160	LNPTFFA1616	1"	41,0	41
	LNPTFFA2020	1" 1/4	43,0	50
	LNPTFFA2424	1" 1/2	53,0	65
100	LNPTFFA3232	2"	61,0	70