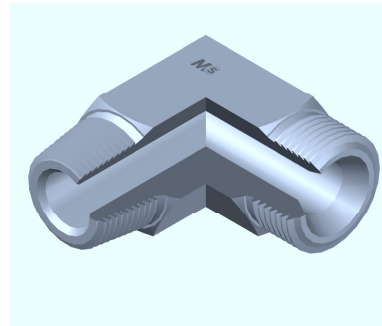
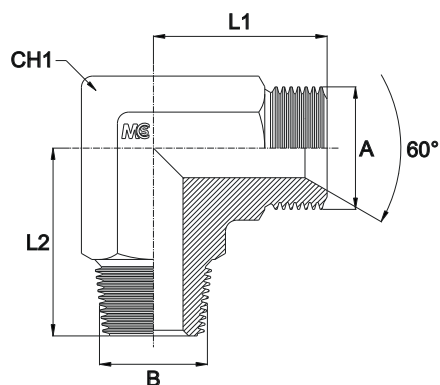


**ADATTATORE A 90° MASCHIO DI ESTREMITÀ**

Filetto Gas Cilindrico/NPT

**MALE STUD ELBOW**

Thread BSP Parallel/NPT



Bar W.P.	Codice Part Number	A	B	L1	L2	CH1
350	LBSPNPTMA0202	1/8"	1/8"	21,0	20,0	12
	LBSPNPTMA0404	1/4"	1/4"	26,0	28,0	14
250	LBSPNPTMA0606	3/8"	3/8"	29,0	31,0	19
225	LBSPNPTMA0808	1/2"	1/2"	34,0	37,5	22
200	LBSPNPTMA1010	5/8"	5/8"	38,0	40,0	27
	LBSPNPTMA1212	3/4"	3/4"	41,0	40,0	27
160	LBSPNPTMA1616	1"	1"	45,0	50,0	33
	LBSPNPTMA2020	1" 1/4	1" 1/4	52,0	60,0	41
	LBSPNPTMA2424	1" 1/2	1" 1/2	59,0	67,0	50
100	LBSPNPTMA3232	2"	2"	78,0	76,0	65