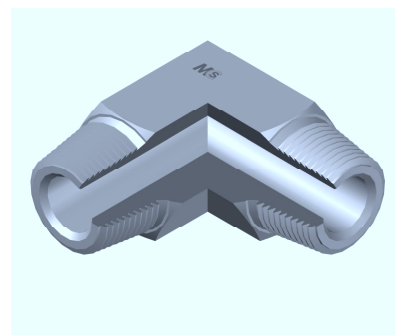
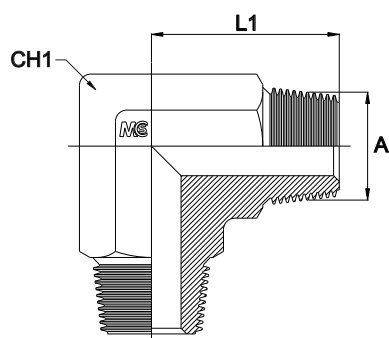


ADATTATORE A 90° MASCHIO INTERMEDIO

Filetto NPT

MALE EQUAL ELBOW

Thread NPT



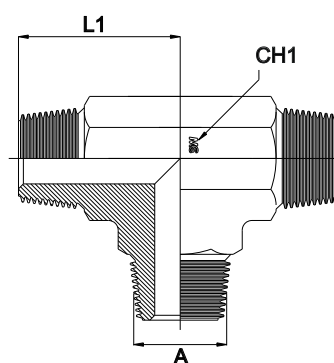
Bar W.P.	Codice Part Number	A	L1	CH1
350	LNPTMA0202	1/8"	20,0	12
	LNPTMA0404	1/4"	28,0	14
250	LNPTMA0606	3/8"	31,0	19
225	LNPTMA0808	1/2"	37,5	22
200	LNPTMA1212	3/4"	40,0	27
160	LNPTMA1616	1"	50,0	33
	LNPTMA2020	1" 1/4	60,0	41
	LNPTMA2424	1" 1/2	67,0	50
100	LNPTMA3232	2"	76,0	65

ADATTATORE A «T» INTERMEDIO MASCHIO

Filetto NPT

MALE EQUAL TEE

Thread NPT



Bar W.P.	Codice Part Number	A	L1	CH1
350	TNPTMA0202	1/8"	20,0	12
	TNPTMA0404	1/4"	28,0	14
250	TNPTMA0606	3/8"	31,0	19
225	TNPTMA0808	1/2"	37,5	22
200	TNPTMA1212	3/4"	40,0	27
160	TNPTMA1616	1"	50,0	33
	TNPTMA2020	1" 1/4	60,0	41
	TNPTMA2424	1" 1/2	67,0	50
100	TNPTMA3232	2"	76,0	65