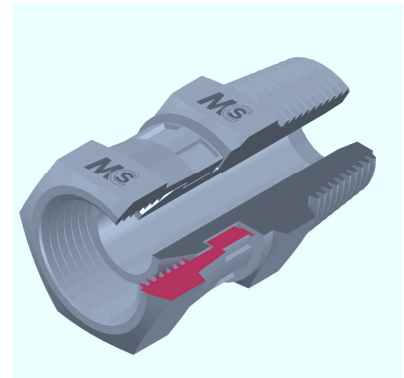
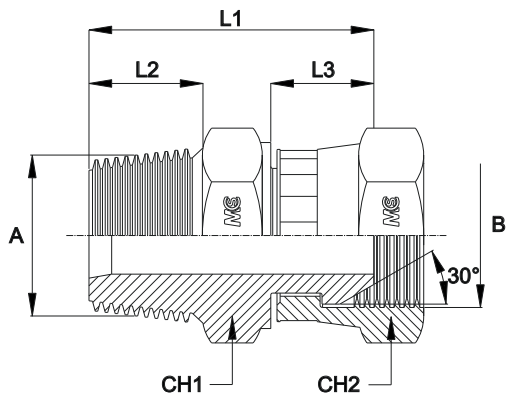


**ADATTATORE MASCHIO/FEMMINA GIREVOLE**

Filetto Maschio NPT/Femmina Gas Cilindrico

**MALE/SWIVEL FEMALE CONNECTOR**

Male Thread NPT/Female Thread BSP Parallel



| Bar W.P. | Codice Part Number | A      | B      | L1   | L2   | L3   | CH1 | CH2 |
|----------|--------------------|--------|--------|------|------|------|-----|-----|
| 350      | NPTBSPMSFA0202     | 1/8"   | 1/8"   | 28,5 | 10,0 | 10,0 | 14  | 17  |
|          | NPTBSPMSFA0404     | 1/4"   | 1/4"   | 34,5 | 14,0 | 10,0 | 14  | 19  |
| 250      | NPTBSPMSFA0606     | 3/8"   | 3/8"   | 37,0 | 14,0 | 12,5 | 19  | 22  |
| 225      | NPTBSPMSFA0808     | 1/2"   | 1/2"   | 46,0 | 19,0 | 14,5 | 22  | 27  |
| 200      | NPTBSPMSFA1212     | 3/4"   | 3/4"   | 46,0 | 19,0 | 16,0 | 27  | 32  |
|          | NPTBSPMSFA1616     | 1"     | 1"     | 55,0 | 24,0 | 17,0 | 36  | 38  |
|          | NPTBSPMSFA2020     | 1" 1/4 | 1" 1/4 | 55,5 | 25,0 | 16,5 | 46  | 50  |
|          | NPTBSPMSFA2424     | 1" 1/2 | 1" 1/2 | 61,0 | 25,0 | 20,5 | 50  | 55  |